



36-INCH PRO GAS RANGE

DOP36M96G | MODERNIST COLLECTION



AVAILABLE MODELS

- DOP36M96GLS Stainless Steel, Natural Gas
- DOP36M96GPS Stainless Steel, Liquid Propane
- DOP36M96GLM Graphite Stainless Steel, Natural Gas
- DOP36M96GPM Graphite Stainless Steel, Liquid Propane

FEATURES & BENEFITS

- Three-Part Convection System - air baffle, fan and removable convection filter to precisely distribute heat for superior cooking results.
- Large oven capacity - 5.4 cu. ft. 4 Dual-Stack Sealed Burners.
- Powerful 22K BTU and true simmer burners.
- Illumina™ Knobs and Ambient Light.
- 7" LCD Control Panel.
- Dacor iQ Kitchen app with integrated Wif-Fi to control and monitor remotely.
- Auto connect to hood.

ACCESSORIES (INCLUDED)

GLIDERACK™	2
STANDARD RACKS	1
TEMPERATURE PROBE	1
WOK RING	1
CONVECTION FILTER	2
BRASS BURNER CAPS	YES
BLACK BURNER CAPS	YES
GRIDDLE	YES

GENERAL PROPERTIES

OVEN CAPACITY (CUBIC FEET)	5.4
COOKING MODES	BAKE CONVECTION BAKE CONVECTION ROAST BROIL CONVECTION BROIL PRO CONVECTION

OVEN PERFORMANCE

BAKE ELEMENT	25,000 BTU
BROIL ELEMENT	18,000 BTU

BURNER PERFORMANCE

TOTAL NUMBER OF COOKTOP BURNERS	6
RIGHT FRONT (BTU)	22,000 DUAL RING (SIMMER)
RIGHT REAR (BTU)	18,000 DUAL RING (SIMMER)
CENTER FRONT (BTU)	18,000 DOUBLE RING (SIMMER)
CENTER REAR (BTU)	18,000 DOUBLE RING (SIMMER)
LEFT FRONT (BTU)	22,000 DUAL RING (SIMMER)
LEFT REAR (BTU)	18,000 DUAL RING (SIMMER)
SEALED BURNERS	YES
PERMA-FLAME™ (AUTO RE-IGNITION)	YES

CONTROL FEATURES

INFOCENTER™ DISPLAY	YES
NUMBER OF KNOBS	6
CONTROL METHOD	7" POP-UP LCD
WI FI	YES
BLUETOOTH (HOOD CONNECTION)	YES
ILLUMINA™ BURNER KNOBS	YES / WHITE
HIGHLIGHTING COLOR	WHITE
AMBIENTLIGHTING	YES (DIMMING)
CLOCK	YES
DELAY START	YES
KITCHEN TIMER	YES
TIME OF DAY (12 HR/24 HR)	YES
TEMPERATURE (F / C)	YES
CHILD LOCK	YES
SOUND ON/OFF	YES
MANUAL LIGHTING ON/OFF	YES

dacor

36-INCH PRO GAS RANGE

ADDITIONAL FEATURES

CLEANING TYPE	SELF CLEAN & GREENCLEAN
---------------	-------------------------

TYPE OF GRATE	CONTINUOUS CAST IRON
---------------	----------------------

CAVITY	BLACK ENAMEL COATING
--------	----------------------

RACK POSITIONS	6
----------------	---

CONVECTION TYPE	THREE PART PURE CONVECTION
-----------------	----------------------------

LIGHTING	BRIGHTVUE™ - LED + HALOGEN
----------	----------------------------

ADDITIONAL MODES

KEEP WARM	YES
-----------	-----

PROOF	YES
-------	-----

STONE MODE	YES
------------	-----

DEHYDRATE	YES
-----------	-----

SABBATH	YES
---------	-----

OPTIONAL MODES

TEMPERATURE PROBE	YES
-------------------	-----

TECHNICAL DETAILS

CIRCUIT BREAKER (A)	20
---------------------	----

VOLTS (V)	120
-----------	-----

FREQUENCY (HZ)	60
----------------	----

ENERGY SOURCE	GAS
---------------	-----

GAS TYPE	NATURAL GAS LIQUID PROPANE
----------	-------------------------------

DIMENSIONS

APPLIANCE DIMENSIONS (H X W X D) (IN.)	36 1/2" X 35 7/8" X 29"
---	-------------------------

REQUIRED CUTOUT SIZE (W X D) (IN.)	36" X 24"
------------------------------------	-----------

WARRANTY

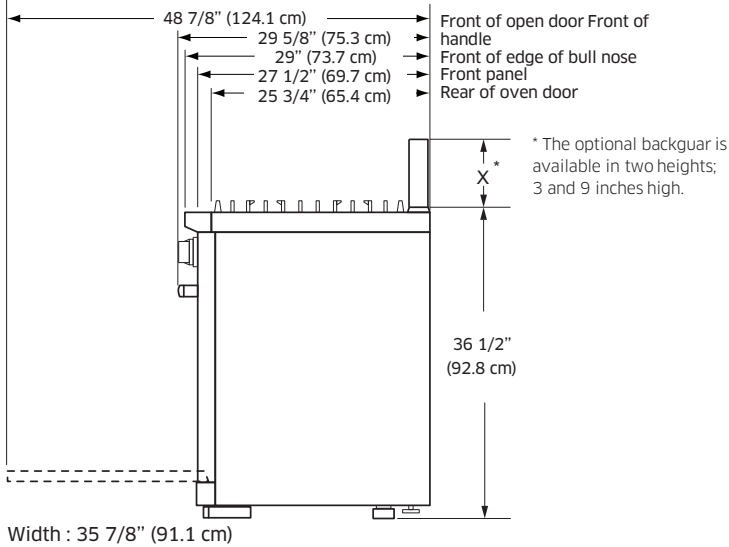
LIMITED, PARTS AND LABOR	2 YEARS
--------------------------	---------

dacor

36-INCH PRO GAS RANGE

APPLIANCE DIMENSIONS

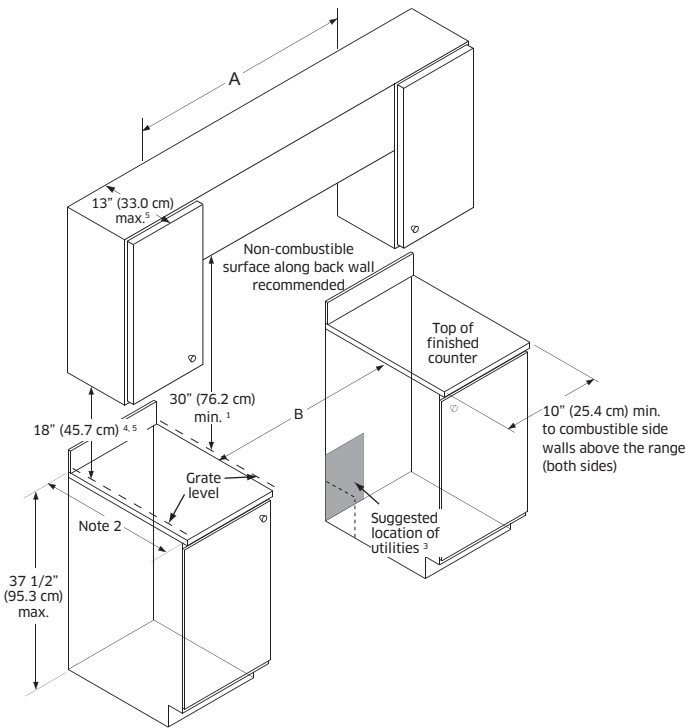
Product tolerances: $\pm 1/16"$ (± 1.6 mm)



36"

A (WIDTH)	$35 \frac{7}{8}"$ (91.1CM)
B (DEPTH)	$29"$ (73.7CM)
C (HEIGHT)	$36 \frac{1}{2}"$ (92.8CM)

INSTALLATION CUTOUT DIMENSIONS



36"

A (WIDTH)	$36"$ (91.4 cm) MINIMUM $42"$ (106.7 cm) RECOMMENDED
B (WIDTH)	$36"$ (91.4 cm)

