

STANDARD FEATURES

 HESTAN

SMART INDUCTION COOKTOPS

- Precision temperature control delivers consistent cooking results.
- Powerful energy efficient induction burner only heats up surface area under your pan and is safely cool to the touch.

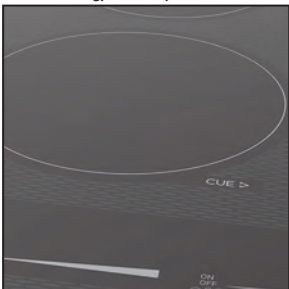
Tablet / phone guided cooking



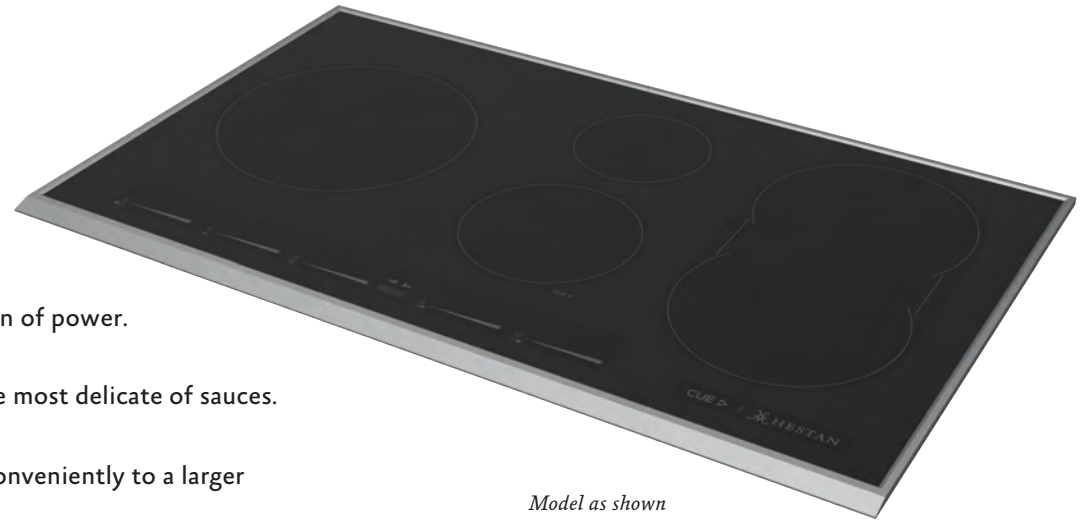
Smart Pan temperature sensing



Energy efficiency burner



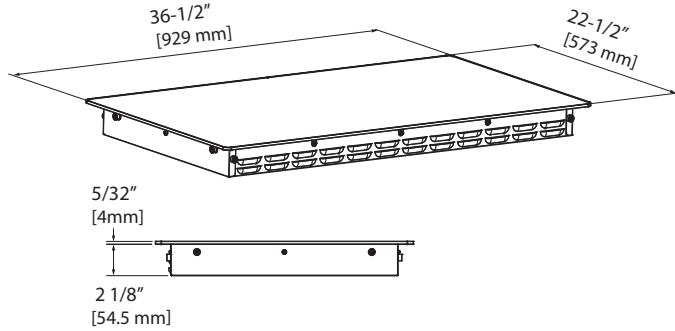
- Slide touch controls offer smooth, precise selection of power.
- Low simmer allows for gentle cooking for even the most delicate of sauces.
- Versatile bridge element (36" model) transforms conveniently to a larger cooking surface.
- Bluetooth Connectivity with Hestan Cue Smart Cookware. (1 pan included)
- Controls Lock provides an additional safety feature.
- Overflow detection.
- Independent timer for each individual cooking zone including an egg timer.
- Automated cooking functions for simmer, keep warm and water bath.
- 5 Induction Cooking Zones.
- Longlife touch control technology (zero oxidation).
- Fully automatic cooling system.
- Startup Booster function allows for elements to heat up more quickly to the desired heat setting - 2 Booster power levels for each cooking zone.
- Pot Detection system.
- Uniquely styled professional stainless steel frame.
- Available in black or metallic silver ceramic glass.



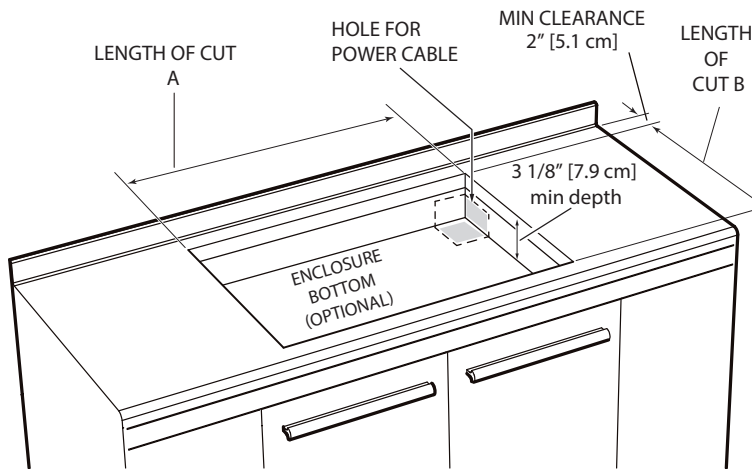
Model as shown
KICS36-BK

CUE 

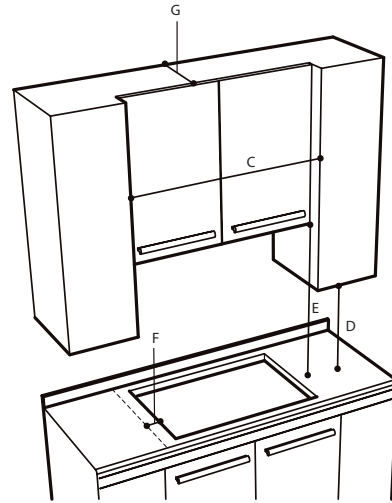
36" COOKTOP DIMENSIONS (including frame)



CUTOUT DIMENSIONS



CUTOUT REQUIREMENTS



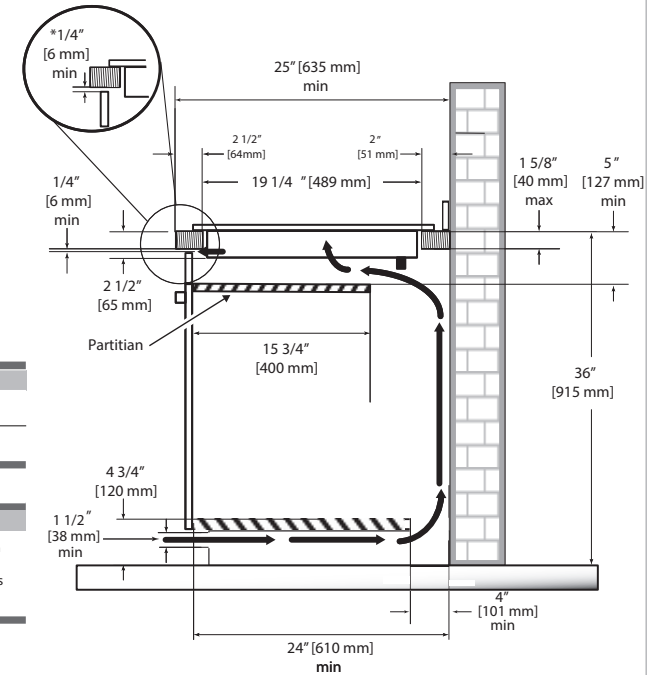
WALL COVERING CABINETS, AND COUNTERTOP MUST WITHSTAND HEAT UP TO 200° F [93° C]

MODEL	A	B	C
KICS36	LENGTH OF CUT	LENGTH OF CUT	
	34-1/4" [87cm]	19-1/4" [48.9cm]	36" [91.4 cm] min

MODEL	D	E	F	G
KICS36	18" [45.7 cm] min Height from countertop to nearest cabinet on either side of unit*	30" [76.2 cm] min. [see note] Clearance from countertop to unprotected overhead surface	2-7/8" [5 cm] min clearance from cutout to side wall on the left and right of the unit	13" [33 cm] Depth of unprotected overhead cabinets

VERTICAL CLEARANCES

* The ventilation opening is to extend the full length of the cooktop cutout.



ELECTRICAL REQUIREMENTS:
220-240V, 50/60Hz, 50 amps



Hestan Indoor products are approved for indoor use only. Hestan Commercial Corporation reserves the right to change materials and specifications without notice.

Built - In Models	Description	Cutout Dimensions		Circuit Breaker Required	Other?	Approx SHP WT (lbs)
		A (in.)	B (in.)			
KICS36-__	36" Smart Induction Cooktop	34-1/4	19-1/4	50 Amp		74
__ = BK (black glass finish) __ = MS (metallic silver finish)						