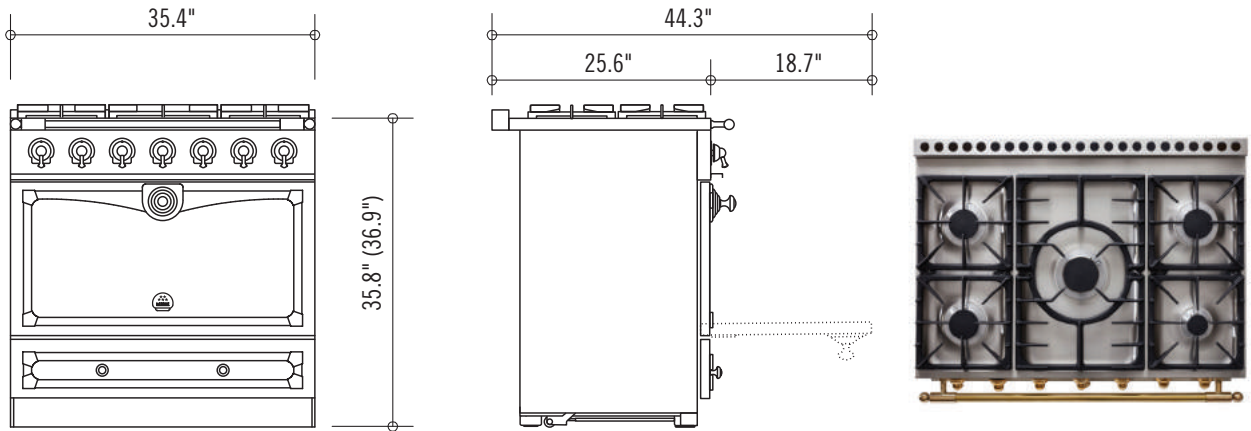


90 ALBERTINE: C9



Designed especially for the US market, the single oven “Albertine” range is the baby of the CornuFé family. With one large multi-function convection oven, and seven unique cooking modes, the range has five powerful brass gas burners and one large storage drawer. The CornuFé 90 is available in 8 classic colors, 4 Suzanne Kasler Couleurs and 3 trim accent choices of Polished Brass, Satin Chrome and Polished Chrome.



SPECIFICATIONS

CORNUFÉ 90 “ALBERTINE”: c9

900 W x 650 D x 910 (937 max) H (mm)
 35.4 W x 25.6 D x 35.8 (36.9 max) H (inches)
 315 lb. uncrated, 410 lb. crated
 High-performance 5 burner gas cooktop
 Large electric convection oven

Standard Color Retail: \$8,475

Suzanne Kasler Color Collection Retail: \$9,050

Gas Burners:

1 17,500 BTU Central Burner
 3 12,000 BTU Burners
 1 6,000 BTU Simmer Burner (down to 600 BTU)
 Solid Brass Enamel-Capped Burners with Thermocouple Safety Mechanism

Ovens:

Enameled steel door with glass inner door
 Electric convection oven featuring 7 cooking modes
 2 Convection Fans, 8 Heating Elements
 1 Wire Rack
 1 Large Tray Equipped with Broil Pan
 1 Pastry Tray
 1 Telescopic Rack
 714 W x 389 D x 381 H (mm)
 28.1 W x 15.3 D x 15 H (inches)
 3.81 cubic feet

POWER AND FUEL

Voltage: 240v; 60Hz, 16 AMP
 Gas connection: 1/2 inch NPT at rear left-hand side
 Natural gas range with propane conversion kit included

HIGH-ALTITUDE KIT

Required for elevations above 5,000 feet
Natural Gas High-Altitude Kit “A037977”: Retail for \$60
Propane High-Altitude Kit “A037982”: Retail for \$60

FINISHES

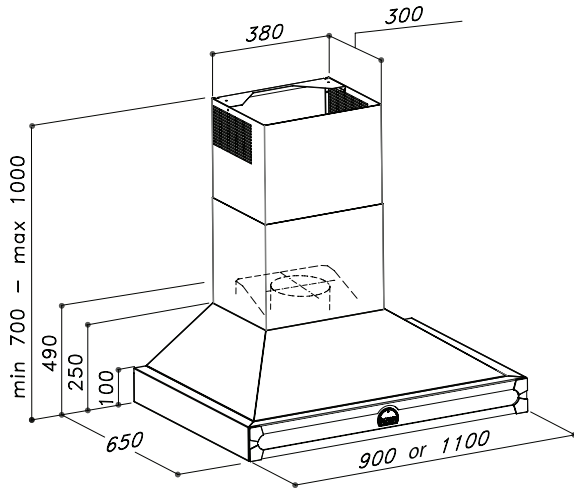
Eight Standard Body Colors: Gloss Black, Matte Black, Stainless Steel, Ivory, Pure White, Dark Navy Blue, Royal Blue and Provence Blue
Four Suzanne Kasler’s Collection Colors: Liberte, Blanc, Tapestry and Roquefort
Three Trim Options: Stainless Steel with Satin Chrome accents, Stainless Steel with Polished Brass accents, Stainless Steel with Polished Chrome accents

*Side panels are stainless steel for all colors except Gloss Black, Matte Black and Dark Navy Blue ranges have flat black side panels.



90 ALBERTINE: C9

CORNUFÉ SERIES HOOD



CORNUFÉ 90 HOOD: H9

900 W x 650 D x 700 H (mm)
 35.4 W x 25.6 D x 27.5 H (inches)
 Traditional wall-mounted chimney hood
 Available in all color and trim options
 4-Speed Variable Motor
 One 600 CFM blower – unobstructed air flow with Ø6" duct
 Remote Control and In-Hood Activation Controls
 Three 20W high-intensity lights
 2 dishwasher-safe baffle filters with grease capture system
 Voltage: 120v; 60Hz, total rating: 425W, 3.6 AMP
 Telescopic flue cover extends to maximum hood height of 39.3" (1000 mm)

Standard Color Retail: \$4,770
Suzanne Kasler Color Collection Retail: \$5,150

CORNUFÉ SERIES DETAILS & ACCESSORIES

STANDARD BODY COLORS

N	Matte Black
M	Gloss Black
I	Stainless Steel
W	Pure White
V	Ivory
D	Dark Navy Blue
R	Royal Blue
L	Provence Blue

TRIM OPTIONS

	Trim	Accents	Rails
N	Stainless Steel	Satin Chrome	Stainless Steel
F	Stainless Steel	Polished Brass	Polished Brass
P	Stainless Steel	Polished Chrome	Polished Stainless Steel

SUZANNE KASLER COLOR COLLECTION

T	Liberte (Special Order)
C	Blanc
A	Tapestry
Q	Roquefort

Please confirm inventory status at time of order.

ACCESSORIES (AVAILABLE FOR 110 AND 90):

Part Number	Description	Price
CFEBPLATE110	Plaque Adaptor Kit	\$1,210
CFEBPLATE90	Plaque Adapter Kit Standard	\$1,210
CFEGRIDDLE	Grill/Griddle Plate Standard	\$605
P050553	Wok Adapter Standard	\$205
O9KIRSIR01	Recirculation Kit	\$335
P030292	CornuFe 110 Extra Flat Rack	\$65