

SECTION 1

STANDARD INSTALLATION

1/4" FRAMED PANELS



3/4" OVERLAY PANELS



SECTION 2

FLUSH INSET INSTALLATION



ELEVATE EVERYTHING

MONOGRAM



SPECIFICATIONS

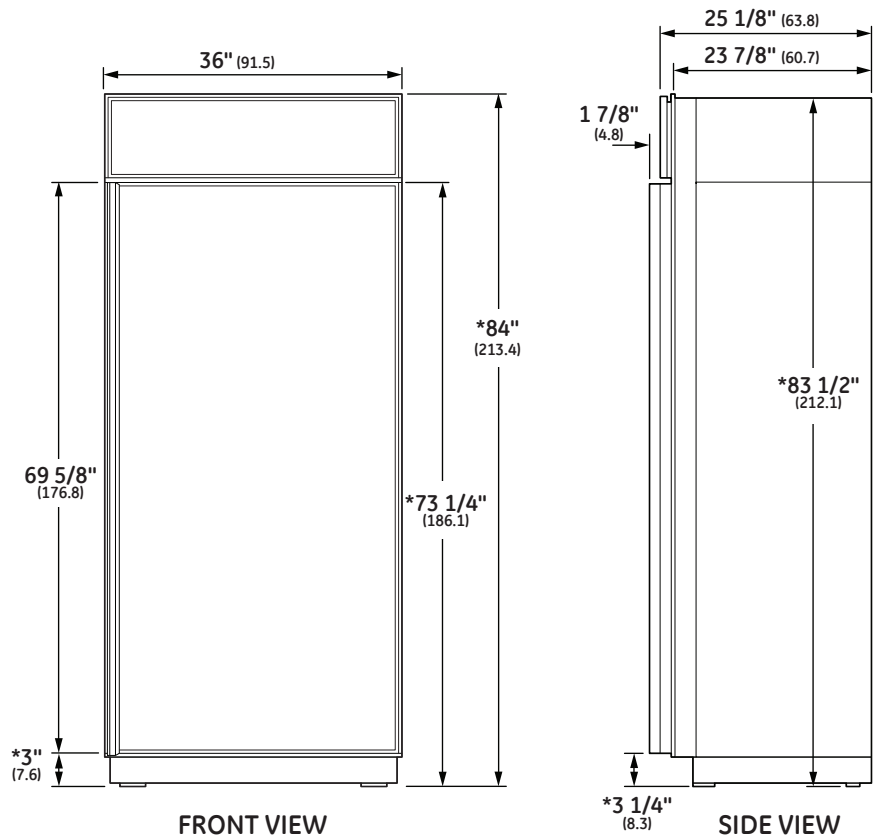
Overall Width	36" (91.4 cm)
Overall Height	84" (213.4 cm)
Overall Depth	25 3/8" (64.45 cm)
Door Clearance	36 3/4" (93.4 cm)
Cutout Width	35 1/2" (90.2 cm)
Cutout Height	83 1/2" - 84 1/2" (212.1 - 214.6 cm)
Cutout Depth	24" (61 cm)
Plumbing Requirements	1/4" OD copper tubing or GE SmartConnect kit
Shipping Weight	569 lb

ATTENTION ELECTRICIAN:

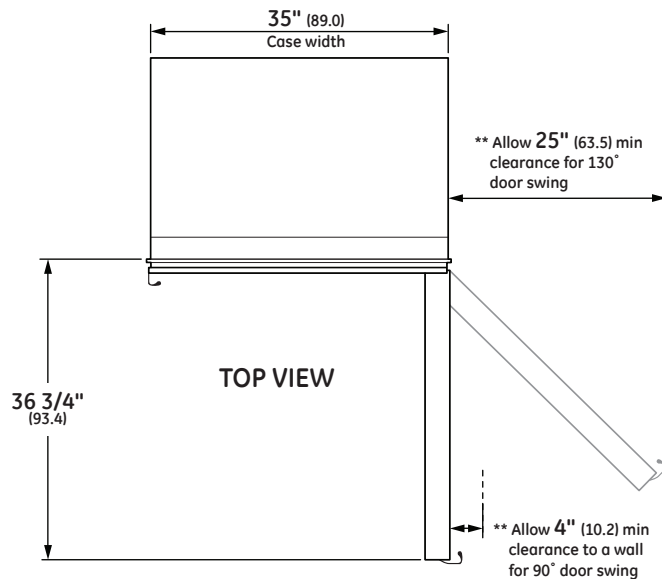
A 115 volt 60Hz., 15 or 20 amp power supply is required. An individual properly grounded branch circuit or circuit breaker is recommended. Install a properly grounded 3-prong electrical receptacle recessed into the back wall.

OVERALL DIMENSIONS

STANDARD INSTALLATION



* Shipping height. Use leveling legs and wheels for maximum 1" height adjustment from shipping height.



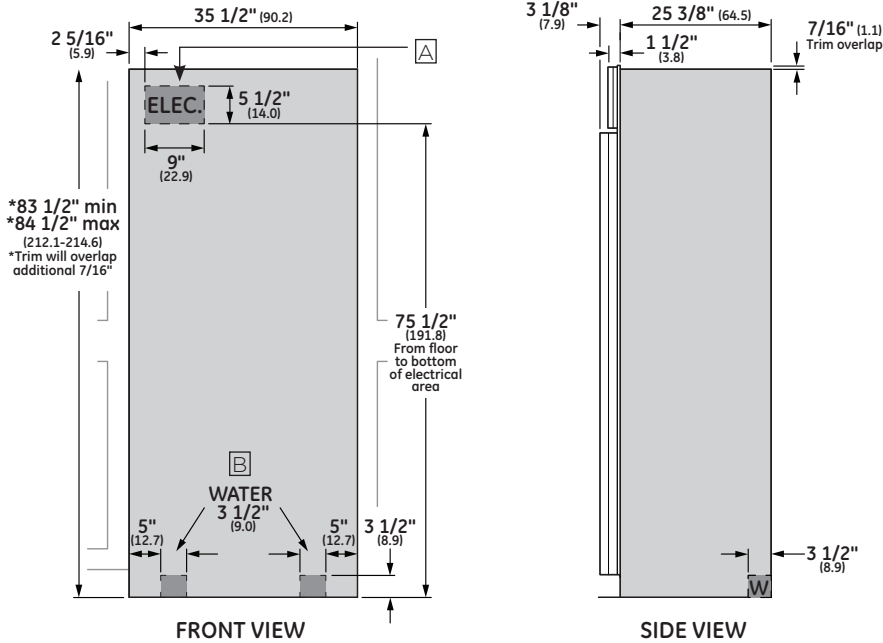
**These units are equipped with a 3-position door stop. The factory set 130° door swing can be adjusted to 90° or 130° for standard installation if clearance to adjacent cabinets or walls is restricted. Allow 15" minimum clearance to wall for pan removal. If the 90° door stop position is used, pan access is maintained but pan removal is restricted.

Dimensions in parentheses are in centimeters unless otherwise noted. Actual product dimension may vary due to manufacturing tolerances.

ELEVATE EVERYTHING™



STANDARD INSTALLATION



STANDARD INSTALLATION

NOTES

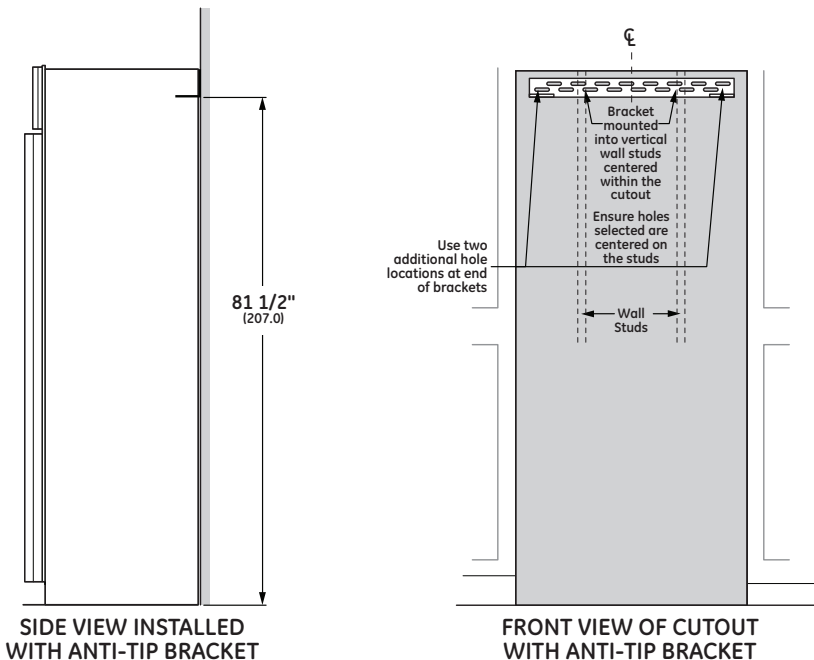
Ⓐ Mounting the junction box in this location will also allow for front accessibility through access panel.

⚠ WARNING:
The refrigerator is top heavy and must be secured to prevent the possibility of tipping forward. Failure to do so may result in death or serious injury.
The information below is for cabinet design only. When installing the anti-tip system you must use the product installation instructions.
The information below applies to all installation constructions:

- A wall bracket, bolts and toggles will be supplied with the unit.
- The bolts will be used to attach bracket to wall in 4 locations. Two of the locations must penetrate the center of the wall studs.
- The toggles are used for stability in drywall and when metal studs are encountered. Lag bolts are used in wood studs.
- In installation opening, measure 81 1/2" from floor and draw a horizontal line.
- Locate and mark the wall studs on horizontal line. Verify at least two studs have their centerlines within the center 32 1/2" of installation opening to ensure 2 wall studs are penetrated.
- The bracket will be centered left to right in opening with bottom of bracket on the horizontal line.
- When unit is placed in opening, the bracket tabs will align with openings in back of the unit. The unit will be secured to the bracket using supplied "L" bolts.

See Installation Instructions for detailed instructions.

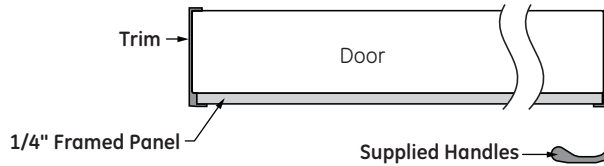
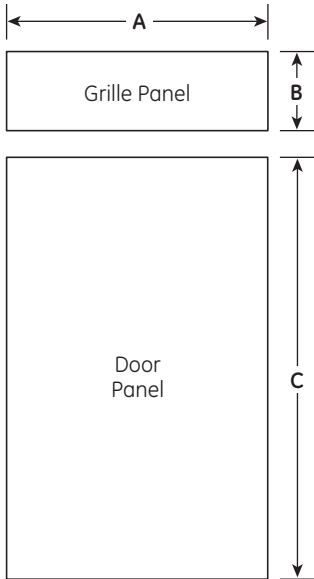
ANTI-TIP BRACKET



ELEVATE EVERYTHING™



STANDARD 1/4" FRAMED PANEL DIMENSIONS
SINGLE INSTALLATION



	A	B	C
1/4" Framed Panel	33 7/8"	8 7/8"	69 5/16"

STANDARD
INSTALLATION

NOTES

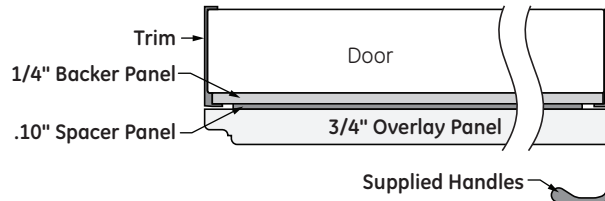
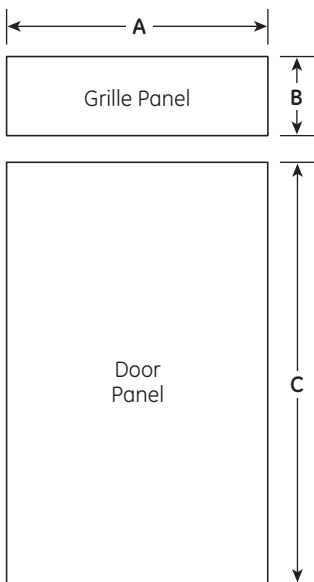
Trimmed refrigerators are designed to be customized with decorative panels. Field-installed custom door and grille panels are required.

1/4" Framed Panels: For 1/4" thick custom panels ordered from your cabinet maker. The decorative panels slide into the trim.

Maximum total panel weight:

- Door panel - 67 lbs.
- Grille panel - 11 lbs.

STANDARD 3/4" OVERLAY PANEL DIMENSIONS
SINGLE INSTALLATION



	A	B	C
1/4" Backer Panel	33 7/8"	8 7/8"	69 5/16"
.10" Spacer Panel	32 1/2"	7 5/8"	67 15/16"
3/4" Overlay Panel	34 1/8"	9"	69 9/16"

3/4" Overlay Panels: For 3/4" thick custom panels ordered from your cabinet maker. The decorative panels slide into the trim. The overlay panel must be secured to a 1/4"-thick backer panel which slides into the trim. A spacer panel 0.10" thick must be placed between the overlay and backer panels.

Center each panel over the other. Assemble the panels with glue and screws. Screws must be countersunk into the backer panel.

NOTE: Left-to-right offset is not always equal to top-to-bottom offset.

Maximum total panel weight:

- Door panel - 67 lbs.
- Grille panel - 11 lbs.

Door Handles:

The supplied handles can be adjusted to accommodate both framed or overlay panels. Custom handles of your choice, supplied by your cabinet maker, can also be installed.

ZKHPSS1: Professional stainless steel handle designed to fit 3/4" overlay panels. Kits include one handle-30 1/2" long.

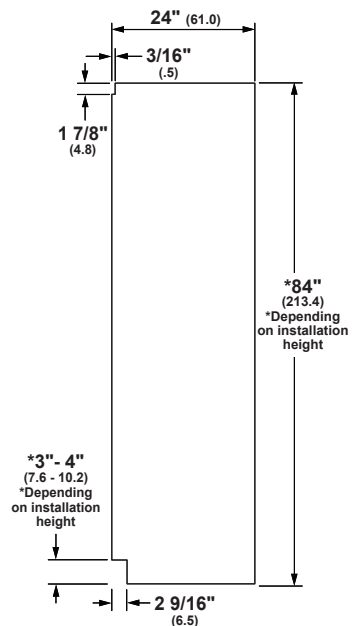
ZKHSS2: European tubular stainless steel handle designed to fit 3/4" overlay panels. Kits include one handle - 64 1/4" long.

ELEVATE EVERYTHING

MONOGRAM

CUSTOM SIDE PANELS

F



STANDARD INSTALLATION

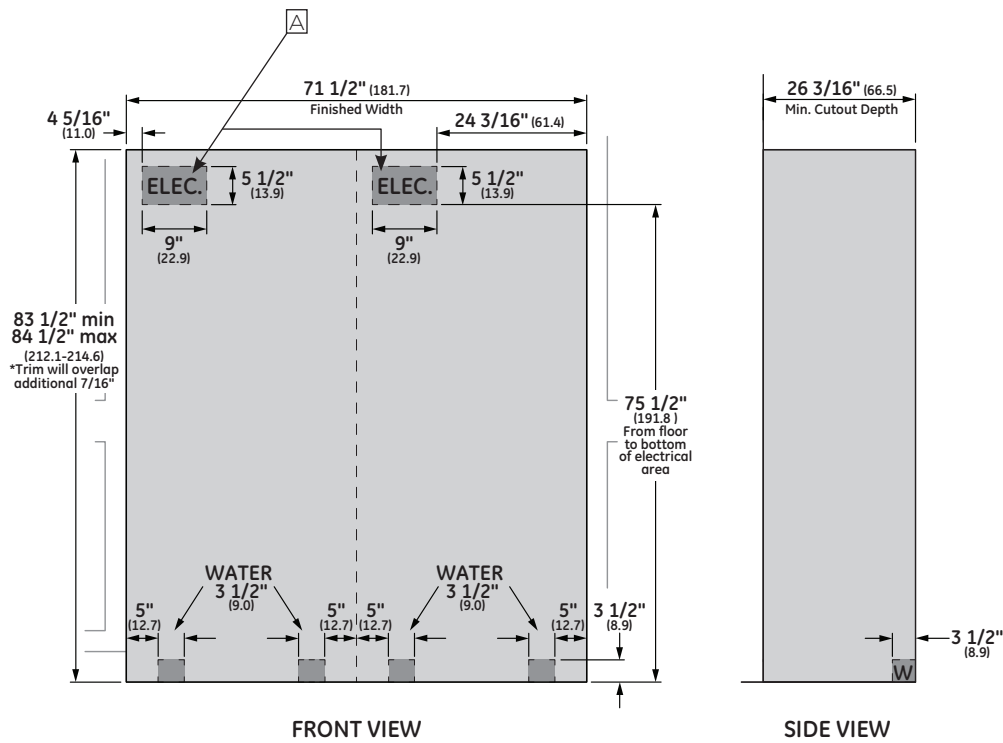
NOTES

F Side panels must be used whenever the sides of the refrigerator will be exposed. A 1/4" side panel will slip into the side case trim. Secure the panels to the freezer with stick-on hook and loop fastener strips. Order the side panels from the cabinet manufacturer.

ELEVATE EVERYTHING



DUAL INSTALLATIONS

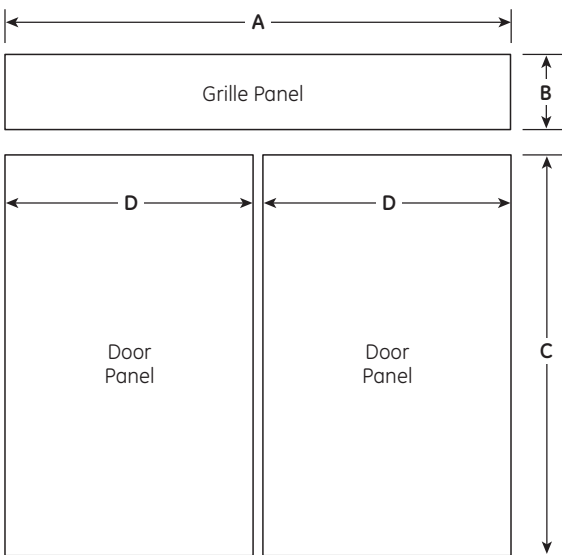


STANDARD INSTALLATION

NOTES

- A separate 115V, 60Hz, 15- or 20-amp power supply is recommended for each product. Additional cutout width may be required when side panels are used.

STANDARD 1/4" FRAMED PANEL DIMENSIONS
DUAL INSTALLATION

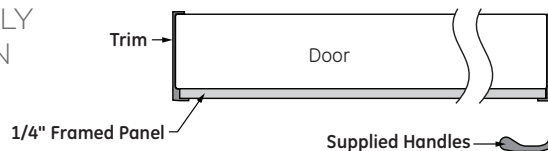


PANEL DIMENSIONS

	1/4" Framed Panel
A	69 7/8"
B	8 7/8"
C	69 5/16"
D	33 7/8"

Trimmed refrigerators are designed to be customized with decorative panels. Field-installed custom door and grille panels are required.
1/4" Framed Panels: For 1/4" thick custom panels ordered from your cabinet maker. The decorative panels slide into the trim.
Maximum total panel weight:
• Door panel - 67 lbs.
• Grille panel - 25 lbs
Order ZUG2: Unified grille kit for one continuous panel in dual installation. Maximum total door panel weight - 25 lbs.

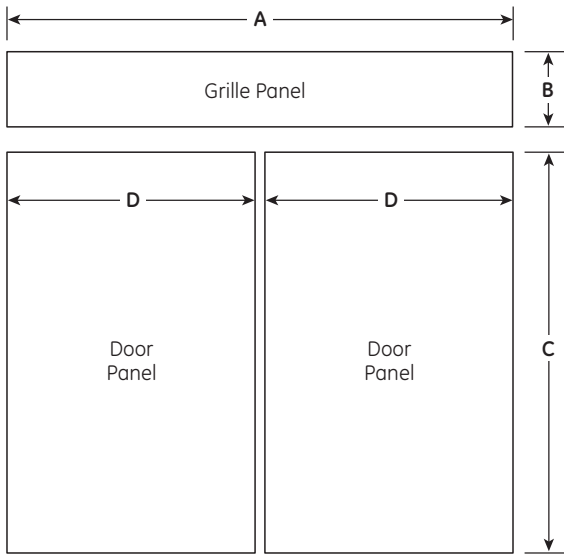
PANEL ASSEMBLY CROSS SECTION



ELEVATE EVERYTHING™



STANDARD 3/4" OVERLAY PANEL DIMENSIONS DUAL INSTALLATION

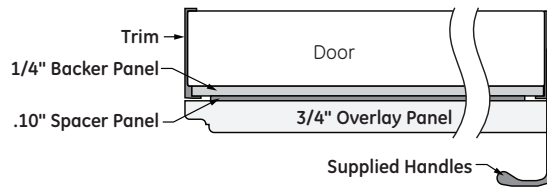


PANEL DIMENSIONS

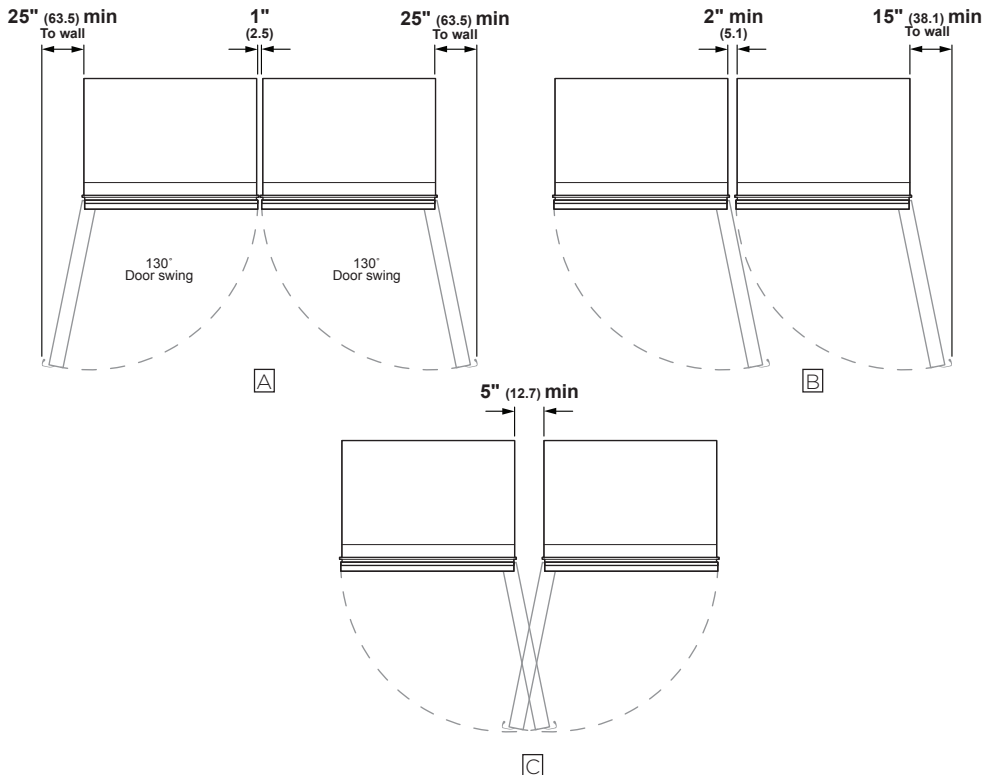
	1/4" Backer Panel	.10" Spacer Panel	3/4" Overlay Panel
A	69 7/8"	68 1/2"	70 1/8"
B	8 7/8"	7 5/8"	9"
C	69 5/16"	67 15/16"	69 9/16"
D	33 7/8"	32 1/2"	34 1/8"

.25" + .10" + .75" = 1.10"
Total Panel Thickness

PANEL ASSEMBLY CROSS SECTION



DUAL PRODUCT CLEARANCES



STANDARD INSTALLATION

NOTES

3/4" Overlay Panels: For 3/4" thick custom panels ordered from your cabinet maker. The decorative panels slide into the trim. The overlay panel must be secured to a 1/4"-thick backer panel which slides into the trim. A spacer panel 0.10" thick must be placed between the overlay and backer panels.

Center each panel over the other. Assemble the panels with glue and screws. Screws must be countersunk into the backer panel.

NOTE: Left-to-right offset is not always equal to top-to-bottom offset.

Maximum total panel weight:

- Door panel – 67 lbs.
- Grille panel – 25 lbs.

Order ZUG2: Unified grille kit for dual installation. Maximum total panel weight - 25 lbs.

Door Handles: The supplied handles can be adjusted to accommodate both framed or overlay panels. Custom handles of your choice, supplied by your cabinet maker, can also be installed.

ZKHPSS1: Professional stainless steel handle designed to fit 3/4" overlay panels. Kits include one handle - 30 1/2" long.

ZKHSS2: European stainless steel handle designed to fit 3/4" overlay panels. Kits include one handle - 64 1/4" long.

A In a side-by-side installation of a left-and-right-hand door swing product, 1" clearance between the units is required.

Order ZUG2: Custom panel unified grille kit for one continuous grille panel.

B In a side-by-side installation with same door swing, allow 2" minimum clearance between the products to prevent the door swing interference. Allow 15" minimum to a wall to achieve full drawer extension and pan removal. Additional clearances are required when using custom panels and handles.

NOTE: ZUG2, ZUGSS2 or ZUGPP2 grille panel kits will not fit this installation.

C In a side-by-side installation with right and left door hinges together, allow 5" minimum clearance between the two products to prevent one door from striking the other. Additional clearances required when using custom panels and handles.

NOTE: ZUG2, ZUGSS2 or ZUGPP2 grille panel kits will not fit this installation.

ELEVATE EVERYTHING™

MONOGRAM



SPECIFICATIONS

Overall Width	38" (96.5 cm) [†]
Overall Height	84 11/16" (215.1 cm) [†]
Overall Depth	26 1/8" (66.3 cm) [†]
Door Clearance	38 3/4" (98.4 cm)
Cutout Width	39" (99.1 cm)
Cutout Height	85" (215.9 cm)
Cutout Depth	26 3/16" (66.5 cm)
Plumbing Requirements	1/4" OD copper tubing or GE SmartConnect kit
Shipping Weight	570 lb (258.5 kg)

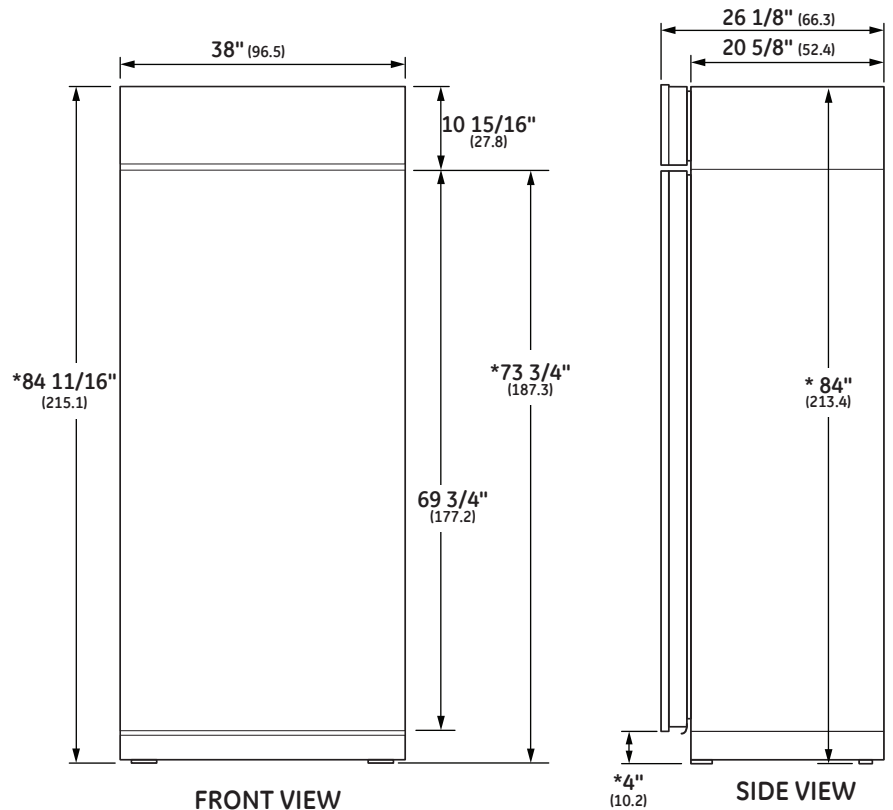
[†] Dimensions include 3/4" custom cabinet panel

ATTENTION ELECTRICIAN:

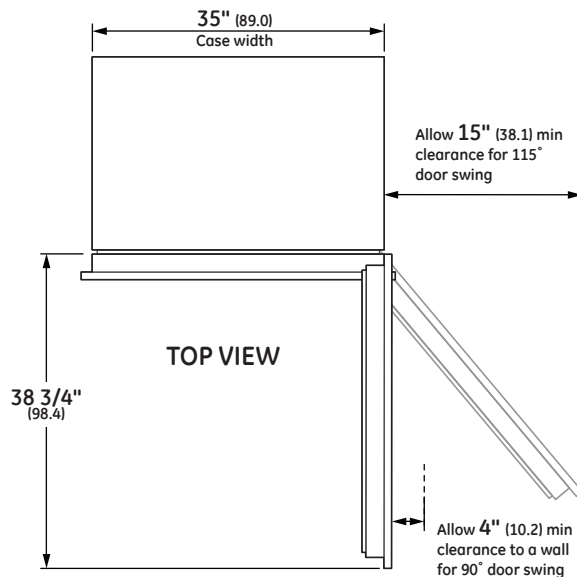
A 115 volt 60Hz., 15 or 20 amp power supply is required. An individual properly grounded branch circuit or circuit breaker is recommended. Install a properly grounded 3-prong electrical receptacle recessed into the back wall.

OVERALL DIMENSIONS

FLUSH INSET INSTALLATION



* Shipping height. Use leveling legs and wheels for maximum 1" height adjustment from shipping height. Nominal installation height is 84"

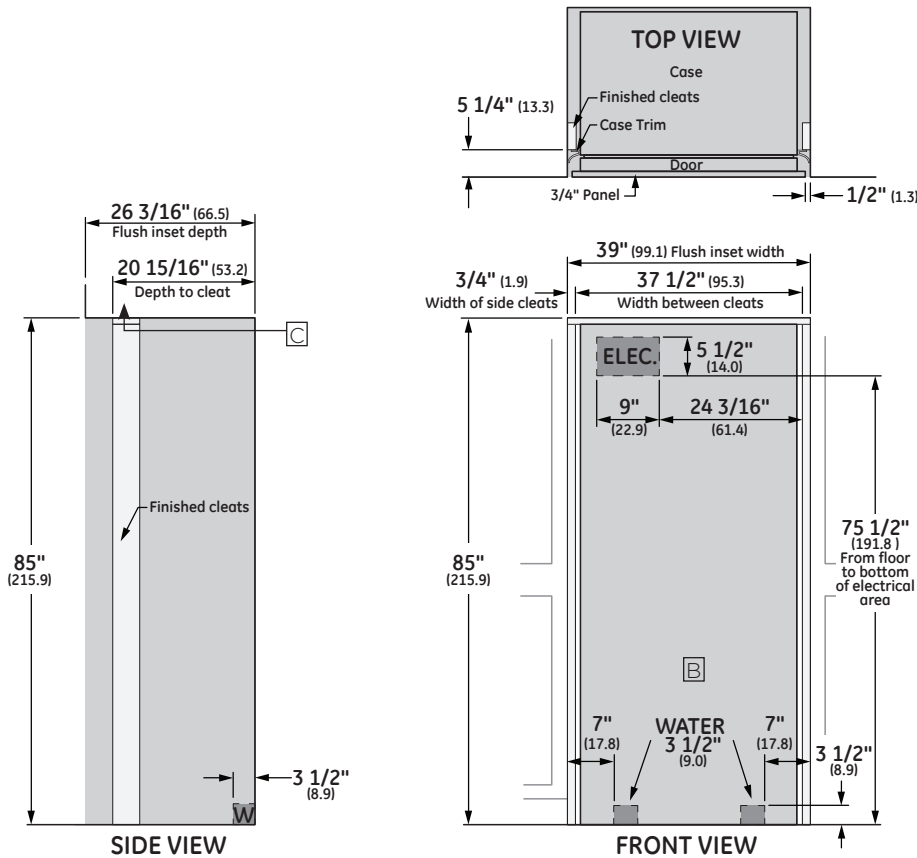


Dimensions in parentheses are in centimeters unless otherwise noted. Actual product dimensions may vary due to manufacturing tolerances.

ELEVATE EVERYTHING™



FLUSH INSET INSTALLATION 3/4" PANELS



FLUSH INSET INSTALLATION

NOTES

- Ⓐ Mounting the junction box in this location will also allow for front accessibility through access panel.
- Ⓑ Water supply area.
- Ⓒ Top cleat should be 1" thick

⚠ WARNING:
 The freezer is top heavy and must be secured to prevent the possibility of tipping forward. Failure to do so may result in death or serious injury.

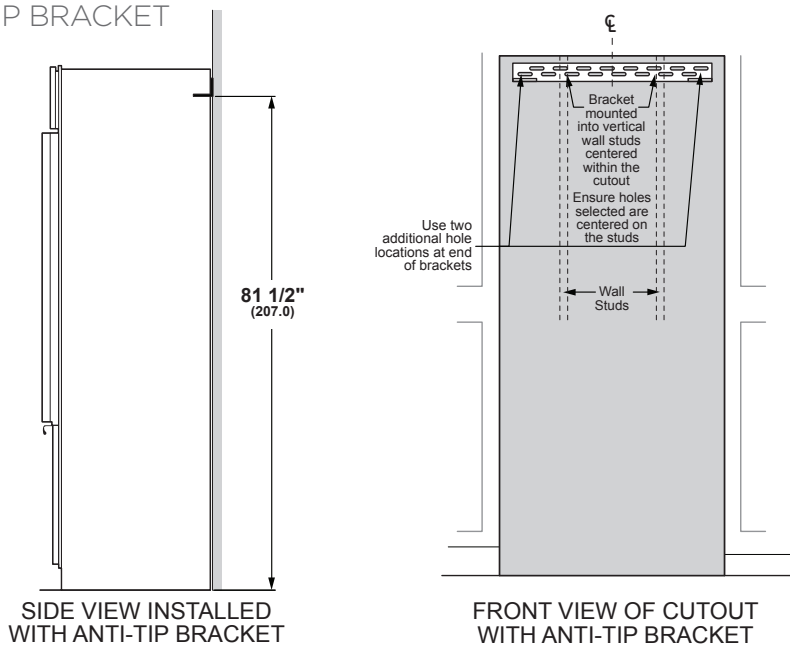
The information below is for cabinet design only. When installing the anti-tip system you must use the product installation instructions.

The information below applies to all installation constructions:

- A wall bracket, bolts and toggles will be supplied with the unit.
- The bolts will be used to attach bracket to wall in 4 locations. Two of the locations must penetrate the center of the wall studs.
- The toggles are used for stability in drywall and when metal studs are encountered. Lag bolts are used in wood studs.
- In installation opening, measure 81 1/2" from floor and draw a horizontal line.
- Locate and mark the wall studs on horizontal line. Verify at least two studs have their centerlines within the center 32 1/2" of installation opening to ensure 2 wall studs are penetrated.
- The bracket will be centered left to right in opening with bottom of bracket on the horizontal line.
- When unit is placed in opening, the bracket tabs will align with openings in back of the unit. The unit will be secured to the bracket using supplied "L" bolts.

See Installation Instructions for detailed instructions.

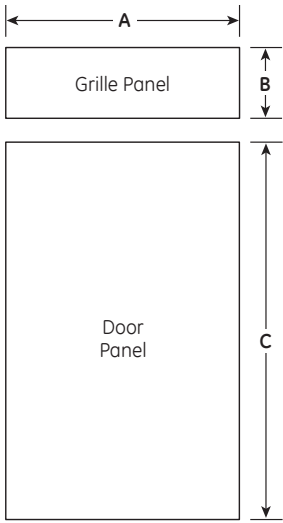
ANTI-TIP BRACKET



ELEVATE EVERYTHING™



FLUSH INSET 3/4" PANEL DIMENSIONS SINGLE INSTALLATION



PANEL DIMENSIONS

A	B	C
38"	10 7/16"	69 3/4"

FLUSH INSET INSTALLATION

NOTES

Trimmed refrigerators are designed to be customized with decorative panels. Field-installed 1/2" or 3/4" custom door and grille panels are required. For 3/4" raised panels, routing is required. The router depth is 1/4" all the way around the panel's backs. Additional panel width reductions are required per the diagrams shown. This will create "picture frame" routing allowing the panels to slide into the attached door and grille trims.

Maximum total panel weight:

- Door panel - 67 lbs.
- Grille panel - 11 lbs

Note: For panels constructed with rails and stiles (5-panel), the rails must be a minimum of 3" wide and stiles must be a minimum of 4" wide.

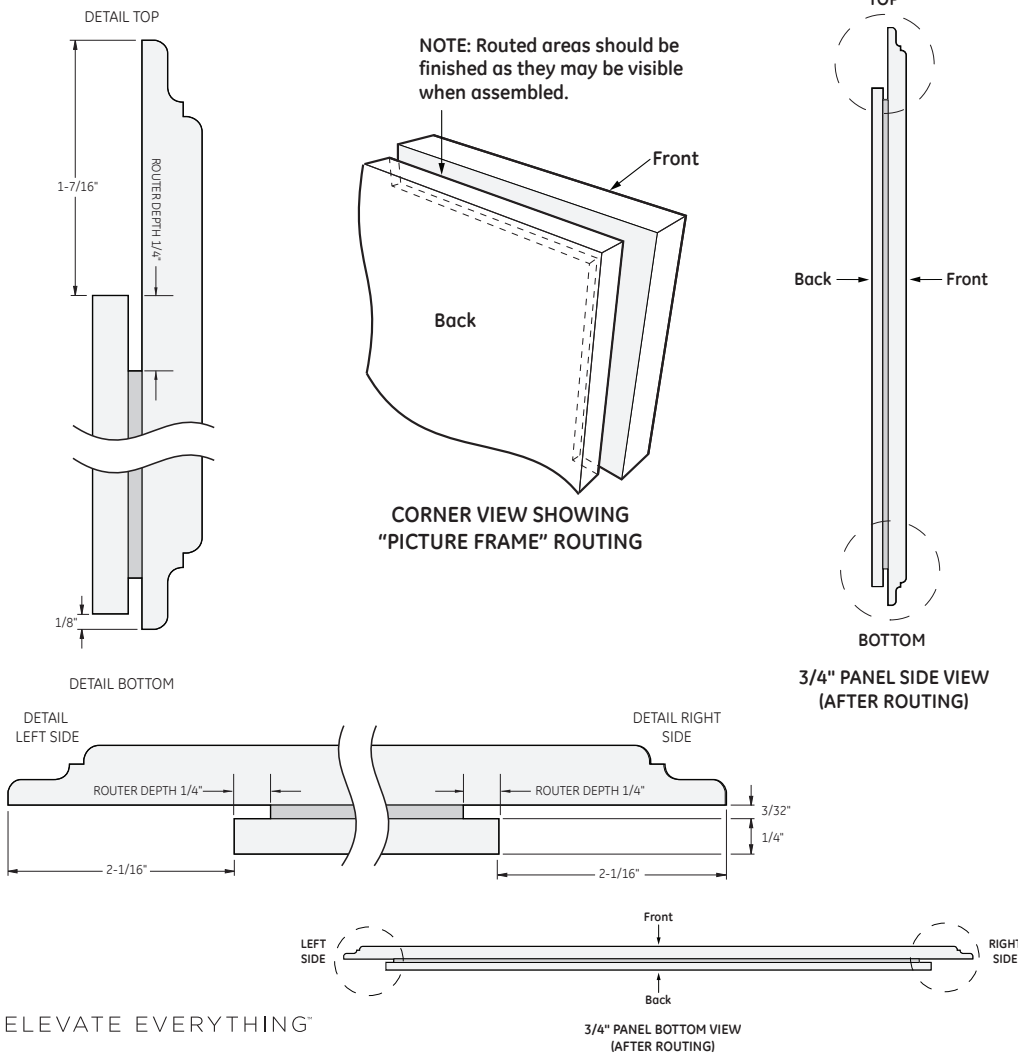
Door Handles: Custom handles are required for flush installation.

ZKHPSS1: Professional stainless steel handle designed to fit 3/4" custom panels. Kit includes one handle - 30 1/2" long.

ZKHSS2: European tubular stainless steel handle designed to fit 3/4" panels. Kit includes one handle - 64 1/4" long.

Order ZUG2: Unified grille kit for dual installation. Maximum total panel weight - 25 lbs.

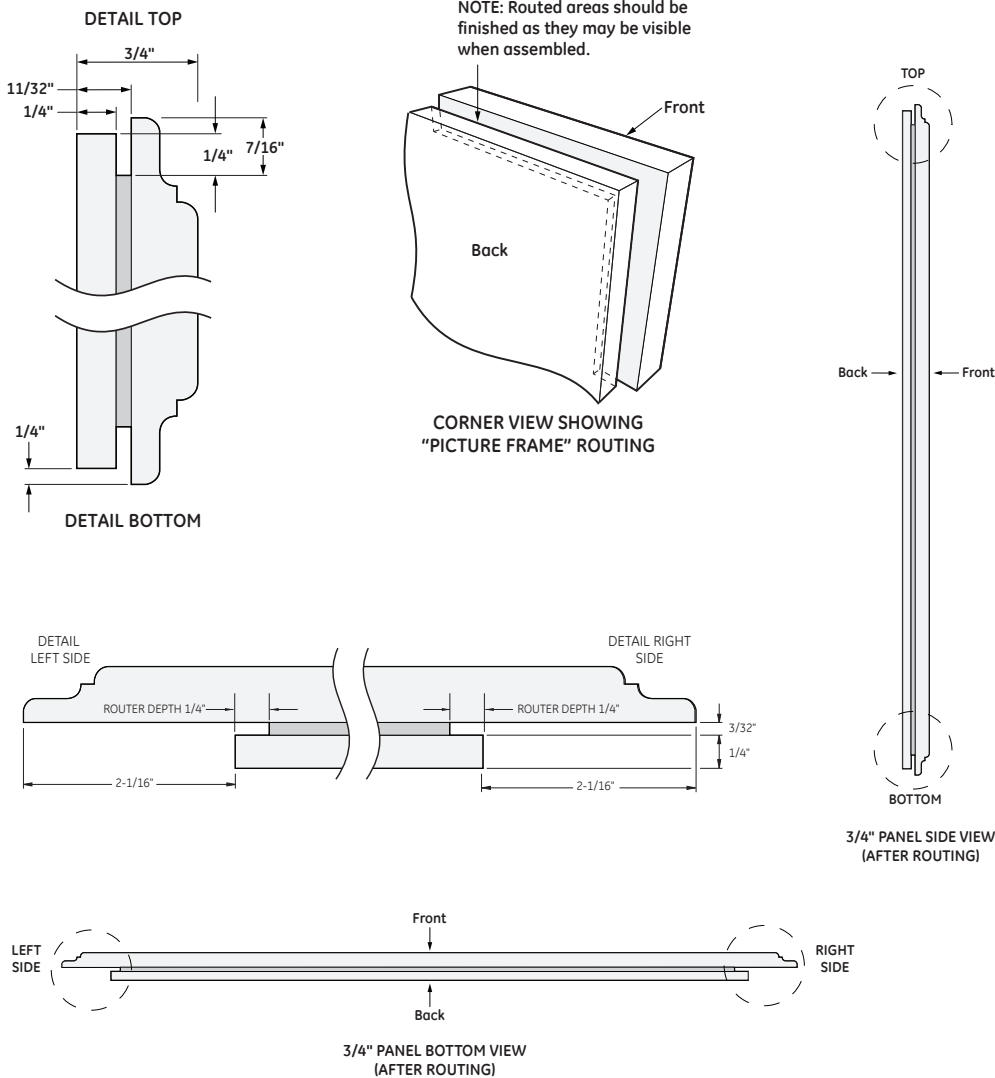
3/4" GRILLE DOOR PANEL ROUTING



ELEVATE EVERYTHING™



3/4" RAISED DOOR PANEL ROUTING



FLUSH INSET INSTALLATION

NOTES

Trimmed refrigerators are designed to be customized with decorative panels. Field-installed 1/2" or 3/4" custom door and grille panels are required. For 3/4" raised panels, routing is required. The router depth is 1/4" all the way around the panel's backs. Additional panel width reductions are required per the diagrams shown. This will create "picture frame" routing allowing the panels to slide into the attached door and grille trims.

Maximum total panel weight:

- Door panel - 67 lbs.
- Grille panel - 11 lbs

Note: For panels constructed with rails and stiles (5-panel), the rails must be a minimum of 3" wide and stiles must be a minimum of 4" wide.

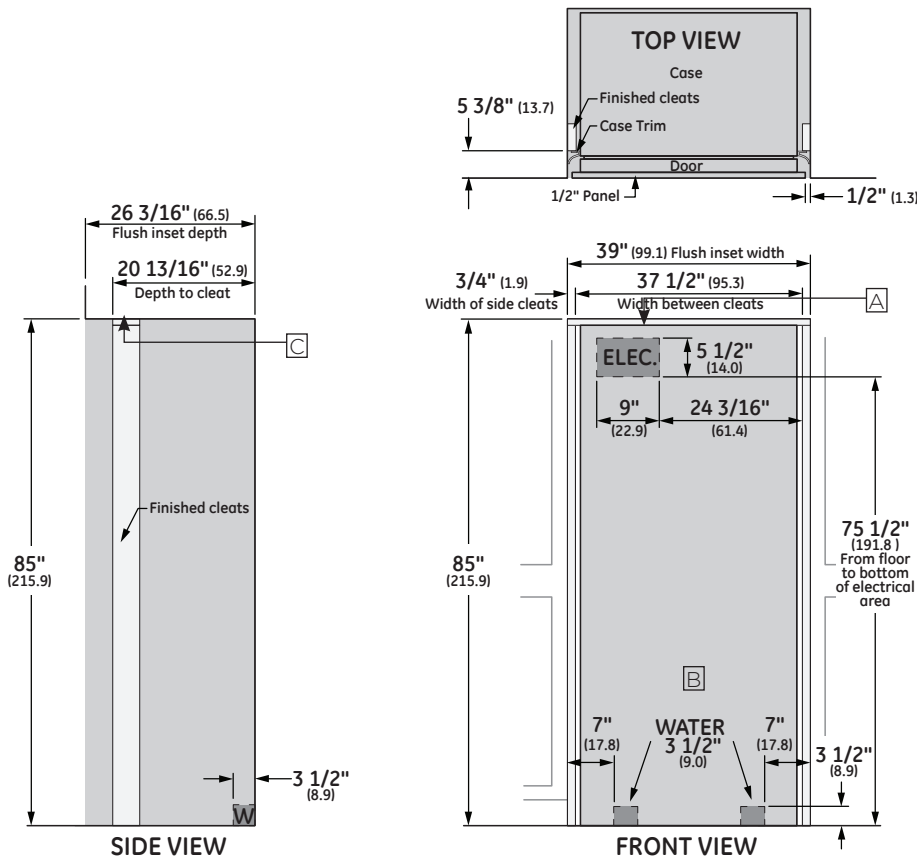
Door Handles: Custom handles are required for flush installation.

ZKHPSS1: Professional stainless steel handle designed to fit 3/4" custom panels. Kit includes one handle - 30 1/2" long.

ZKHSS2: European tubular stainless steel handle designed to fit 3/4" panels. Kit includes one handle - 64 1/4" long.

Order ZUG2: Unified grille kit for dual installation. Maximum total panel weight - 25 lbs.

FLUSH INSET INSTALLATION 1/2" PANELS



FLUSH INSET INSTALLATION

NOTES

- A Mounting the junction box in this location will also allow for front accessibility through access panel.
- B Water supply area.
- C Top cleat should be 1" thick

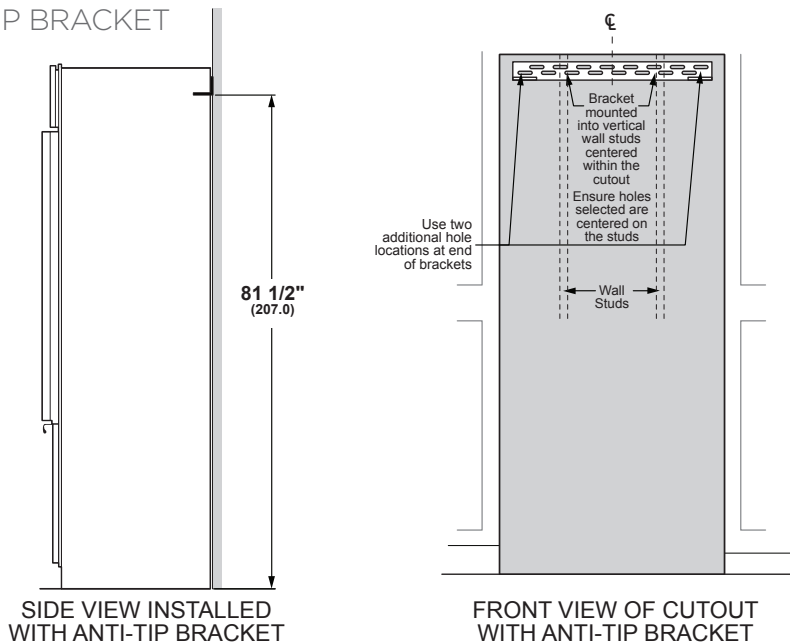
⚠ WARNING:
 The freezer is top heavy and must be secured to prevent the possibility of tipping forward. Failure to do so may result in death or serious injury.

The information below is for cabinet design only. When installing the anti-tip system you must use the product installation instructions.

The information below applies to all installation constructions:

- A wall bracket, bolts and toggles will be supplied with the unit.
 - The bolts will be used to attach bracket to wall in 4 locations. Two of the locations must penetrate the center of the wall studs.
 - The toggles are used for stability in drywall and when metal studs are encountered. Lag bolts are used in wood studs.
 - In installation opening, measure 81 1/2" from floor and draw a horizontal line.
 - Locate and mark the wall studs on horizontal line. Verify at least two studs have their centerlines within the center 32 1/2" of installation opening to ensure 2 wall studs are penetrated.
 - The bracket will be centered left to right in opening with bottom of bracket on the horizontal line.
 - When unit is placed in opening, the bracket tabs will align with openings in back of the unit. The unit will be secured to the bracket using "L" bolts.
- See Installation Instructions for detailed instructions.

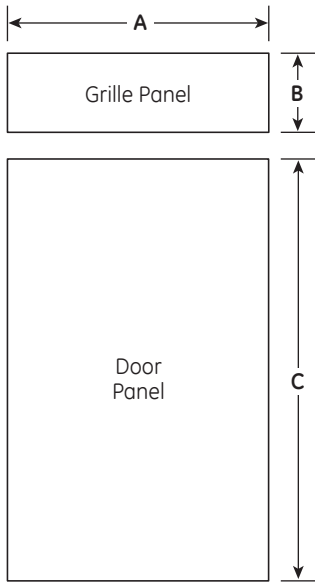
ANTI-TIP BRACKET



ELEVATE EVERYTHING™



FLUSH INSET 1/2" PANEL DIMENSIONS SINGLE INSTALLATION



PANEL DIMENSIONS

	A	B	C
1/4" Backer Panel	33 7/8"	8 7/8"	69 5/16"
.10" Space Panel	32 1/2"	7 5/8"	67 15/16"
1/2" Overlay Panel	38"	10 7/16"	69 3/4"

FLUSH INSET INSTALLATION

NOTES

The 1/2" overlay panel must be secured to a .10" spacer panel and a 1/4" thick backer panel, which slides into the trim.

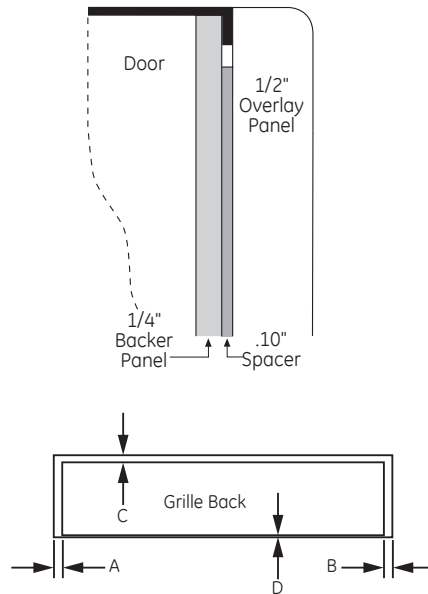
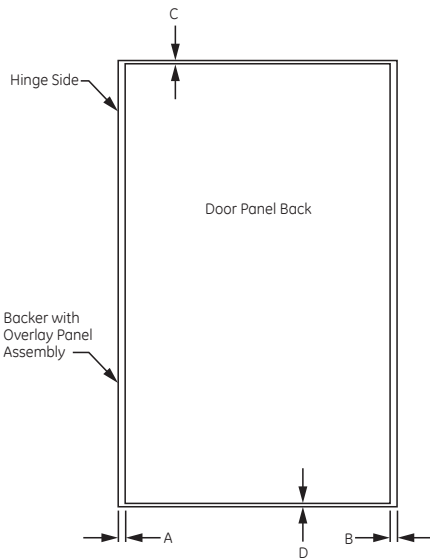
Assemble the panels with glue and screws:

- Center the spacer panel on the backer panel, left to right and top to bottom. Secure the panels with glue.
- Refer to the chart for locating the backer panel to the overlay panel. Secure the overlay panel to the backer panel with glue and screws. Screws must be countersunk into the backer panel

Order ZUG2: Unified grille kit for dual installation. Maximum total panel weight - 25 lbs.

Note: For panels constructed with rails and stiles (5-panel), the rails must be a minimum of 3" wide and stiles must be a minimum of 4" wide.

1/2" OUTER PANEL TO BACKER PLACEMENT



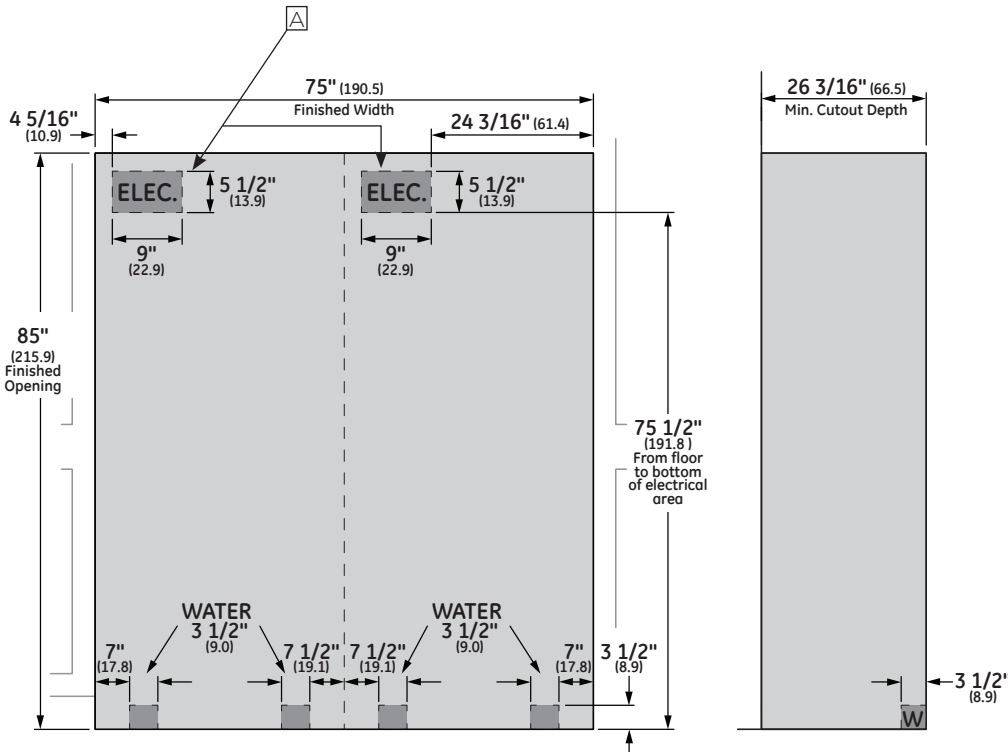
PANEL DIMENSIONS

	A	B	C	D
Door Panel	2 1/16"	2 1/16"	3/16"	1/4"
Grille Panel	2 1/16"	2 1/16"	17/16"	1/8"

ELEVATE EVERYTHING



DUAL INSTALLATIONS



FLUSH INSET INSTALLATION

NOTES

Trimmed freezers are designed to be customized with decorative panels. Field-installed 1/2" or 3/4" custom door, drawer and grille panels are required. For 3/4" raised panels, routing is required. The router depth is 1/4" all the way around the panel's backs. Additional panel width reductions are required per the diagrams shown. This will create "picture frame" routing allowing the panels to slide into the attached door, drawer and grille trims.

- Maximum total panel weight:
- Fresh food door panels - 67 lbs.
 - Grille panel - 25 lbs

Door Handles:
Custom handles are required for flush installation.

ZKHPSS1: Professional tubular stainless steel handle designed to fit custom panels. Kit includes one handle - 30 1/2" long. Order 2 kits from your Monogram supplier.

ZKHSS2: European tubular stainless steel handle designed to fit 3/4" panels. Kit includes one handle - 64 1/4" long.

Order ZUG2: Unified grille kit for one continuous panel in dual installation. Maximum total door panel weight - 25 lbs.

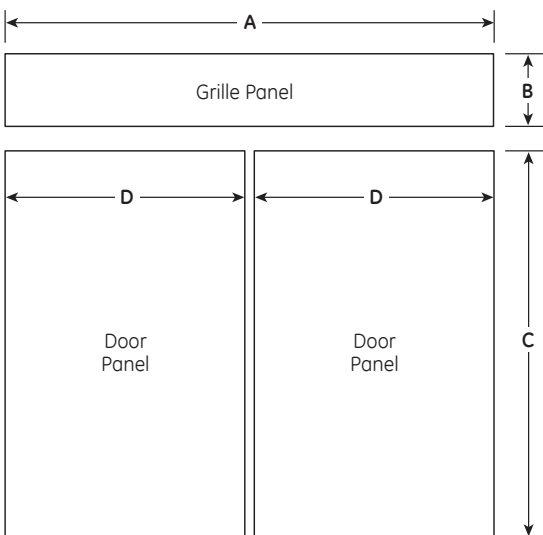
The 1/2" overlay panel must be secured to a .10" spacer panel and a 1/4" thick backer panel, which slides into the trim.

Assemble the panels with glue and screws:

- Center the spacer panel on the backer panel, left to right and top to bottom. Secure the panels with glue.
- Refer to the single unit flush installation diagram on pg 7 for backer to 1/2" overlay panel placement.

ⓐ A Separate 115V, 60Hz, 15 or 20 amp power supply is recommended for each product.

FLUSH INSET 1/2" PANEL DIMENSIONS DUAL INSTALLATION



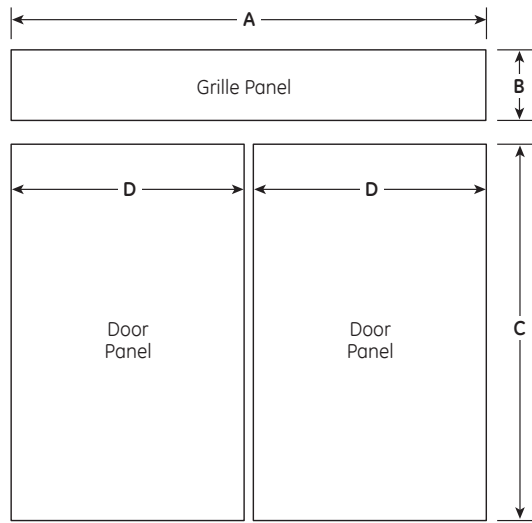
PANEL DIMENSIONS

	A	B	C	D
1/4" Backer Panel	69 7/8"	8 7/8"	69 5/16"	33 7/8"
.10" Space Panel	68 1/2"	7 5/8"	67 15/16"	32 1/2"
1/2" Overlay Panel	74"	10 7/16"	69 3/4"	36 7/8"

ELEVATE EVERYTHING™



FLUSH INSET 3/4" PANEL DIMENSIONS DUAL INSTALLATION



PANEL DIMENSIONS

A	B	C	D
74"	10 7/16"	69 3/4"	36 7/8"

FLUSH INSET INSTALLATION

NOTES

Trimmed freezers are designed to be customized with decorative panels. Field-installed 1/2" or 3/4" custom door, drawer and grille panels are required. For 3/4" raised panels, routing is required. The router depth is 1/4" all the way around the panel's backs. Additional panel width reductions are required per the diagrams shown. This will create "picture frame" routing allowing the panels to slide into the attached door, drawer and grille trims.

- Maximum total panel weight:
- Fresh food door panels - 67 lbs.
 - Grille panel - 25 lbs.

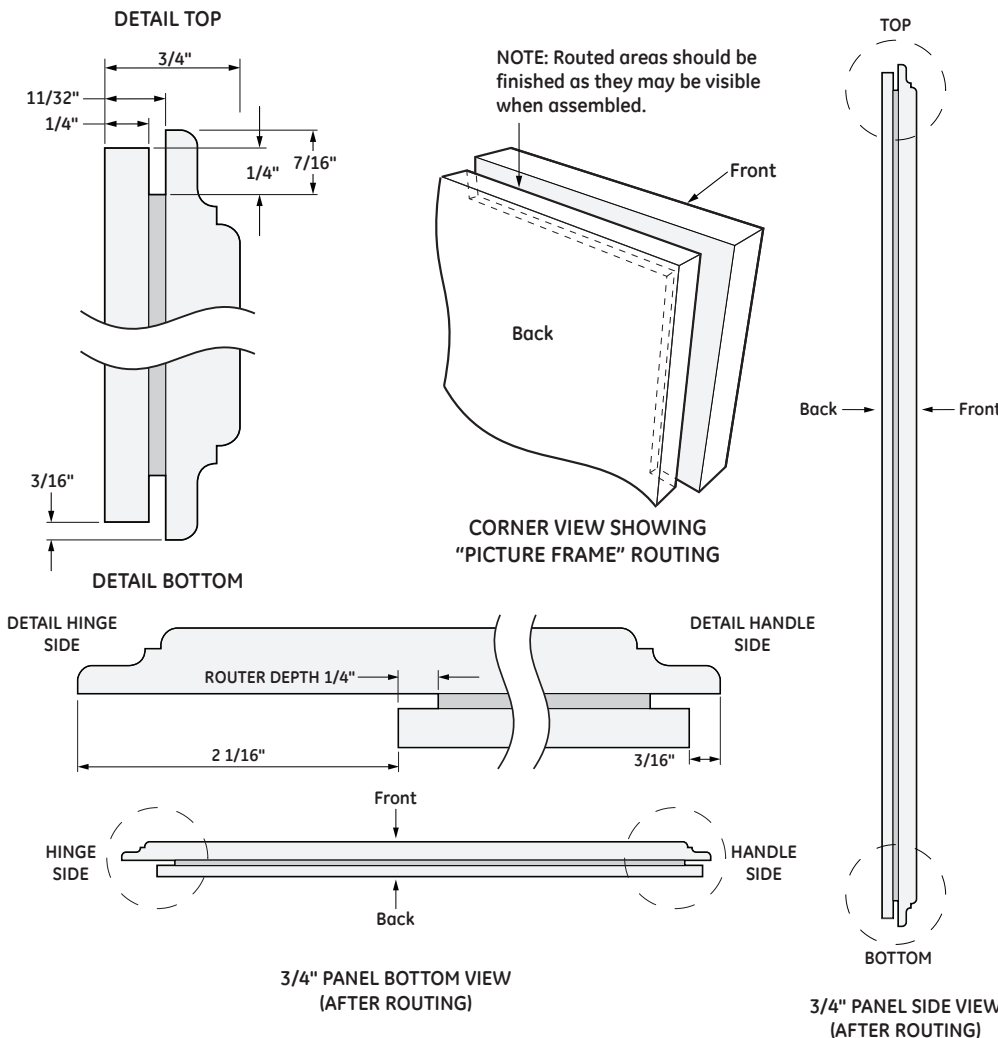
Door Handles:
Custom handles are required for flush installation.

ZKHPSS1: Professional tubular stainless steel handle designed to fit custom panels. Kit includes one handle - 30 1/2" long. Order 2 kits from your Monogram supplier.

ZKHSS2: European tubular stainless steel handle designed to fit 3/4" panels. Kit includes one handle - 64 1/4" long.

Order ZUG2: Unified grille kit for one continuous panel in dual installation. Maximum total door panel weight - 25 lbs.

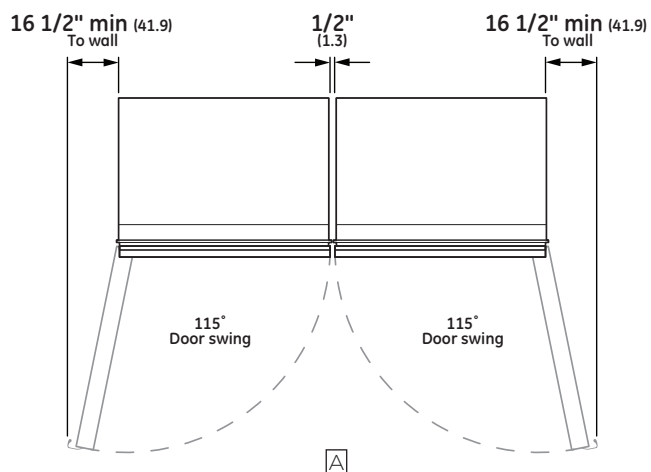
3/4" RAISED DOOR PANEL ROUTING - (SEE PAGE 4 FOR 3/4" GRILLE PANEL ROUTING DIAGRAMS)



ELEVATE EVERYTHING™



DUAL PRODUCT CLEARANCES



FLUSH INSET
INSTALLATION

NOTES

- A In a side-by-side installation of a left-and-right-hand door swing product, 1" clearance between the units is achieved naturally when installing trim-to-trim.

ELEVATE EVERYTHING®

MONOGRAM

FEATURES AND BENEFITS

CUSTOM PANEL MODEL

Can be personalized with cabinet-matching panels and handles

FLUSH INSET INSTALLATION

Allows the freezer to be installed flush with adjacent cabinetry

ENHANCED TEMPERATURE MANAGEMENT SYSTEM

With precise electronic controls and thermistors, maintains ideal storage conditions for frozen foods

CONCEALED ICE DRAWER

Provides quick and easy access to filtered ice

HUMIDITY CONTROLLED COMPARTMENTS AND SEALED SNACK PLANS

Help maintain freshness and help preserve foods longer

ADJUSTABLE, SPILLPROOF GLASS SHELVES

Easily accommodate party trays and platters

SEALED DAIRY COMPARTMENT

Locks in freshness

GALLON-SIZE DOOR BIN

Holds milk containers, two-liter bottles and pitchers



ELEVATE EVERYTHING

MONOGRAM