

# T36BT920NS

## 36-INCH STAINLESS STEEL BUILT-IN FRENCH DOOR BOTTOM FREEZER, PRE-ASSEMBLED

FREEDOM® COLLECTION, PROFESSIONAL SERIES HANDLES



Also Available In:  
T36BT910NS – Masterpiece® Series Handles

### FEATURES & BENEFITS

- Freedom® Hinge enables true flush design
- Auto Door Opening provides the opening of the door with just a slight push or pull
- Delicate Produce Bins for expanded storage
- ThermaFresh System, Humidity and Temperature controlled drawers
- SoftClose® Drawers and Produce Bins for easy and controlled storage
- Sleek clean design for the perfect symmetry when paired with additional columns
- TFT control panel managing all your columns functions

### TEMPERATURE RANGES

Refrigerator	36°F (2°C) to 46°F (8°C)
SuperCool	36°F (2°C) for approximately 6 hours
Energy Saving (Economy) Mode	Refrigerator: 45°F (7°C) Freezer: 3°F (-16°C)
Freezer	-11°F (-24°C) to 7°F (-14°C)
SuperFreeze®	-22°F (-30°C) for approximately 52 hours

### GENERAL PROPERTIES

Reversible Door Swing	No
SoftClose® Door	Yes*
SoftClose® Drawers	Yes
Carbon Air Filter	Yes
Lighting	LED Sidewall and Theater Lighting
Refrigerator Shelves	3
Adjustable Shelves – Refrigerator	2
Shelf Material	Glass w/Aluminum Profile
Full Extension Drawers @ 115° Door Opening Angle	Yes
Full Extension Drawers @ 90° Door Opening Angle	Yes
Adjustable Temperature Drawer	1
Humidity Managed Drawer	1
Door Bins – Refrigerator	2
Gallon Door Bins – Refrigerator	2
Delicate Produce Bins	2 Small
Defrost Process – Freezer	Frost-Free
Freezer Baskets	2
Ice Maker with Diamond Ice System	Yes
Door Open Alarms	Yes
Open Door Assist	Yes
SuperCool	Yes
SuperFreeze®	Yes
Special Modes	Sabbath, Economy, Vacation

### CAPACITY

Total Capacity (cu. ft.)	19.4 cu. ft.
--------------------------	--------------

### TECHNICAL DETAILS

Watts (W)	350 W
Current (A)	15 A
Volts (V)	110-120 V
Frequency (Hz)	60 Hz
Power Cord Length (in.)	118
Plug Type	120V-3 Prong

### DIMENSIONS & WEIGHT

Appliance Dimensions (H x W x D) (in.)	83 3/4"*** x 35 3/4" x 24 3/4"
Required Cutout Size (H x W x D) (in.)	84" x 36" x 25"
Net / Gross Weight (lbs)	551 / 598 lbs

### EFFICIENCY

ENERGY STAR® Qualified	Yes
Annual Energy Consumption	585 kWh

\*To verify if you have a refrigeration unit with Soft-Close capability please contact our customer team by calling 1-800-735-4328.

\*\*Height adjustable + / -1/2" (+ / -13 mm)

# T36BT920NS

## 36-INCH STAINLESS STEEL BUILT-IN FRENCH DOOR BOTTOM FREEZER, PRE-ASSEMBLED

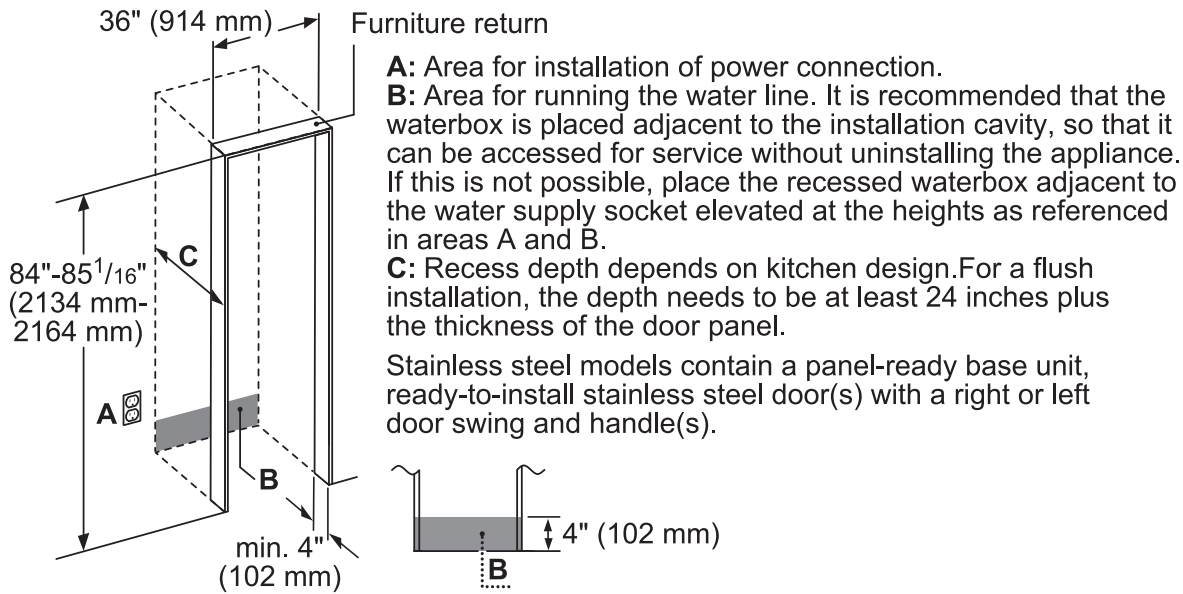
FREEDOM® COLLECTION, PROFESSIONAL SERIES HANDLES



WARRANTY	
Limited, Entire Appliance, Parts and Labor on Any Part of the Refrigerator that Fails Because of a Manufacturing Defect	2 Year
Limited Warranty for Sealed Refrigeration System*; Parts and Labor	3rd to 6th Year
Limited Warranty for Sealed Refrigeration System*; Parts Only	7th to 12th Year
Limited Warranty for Stainless Steel Rust-Through	Lifetime

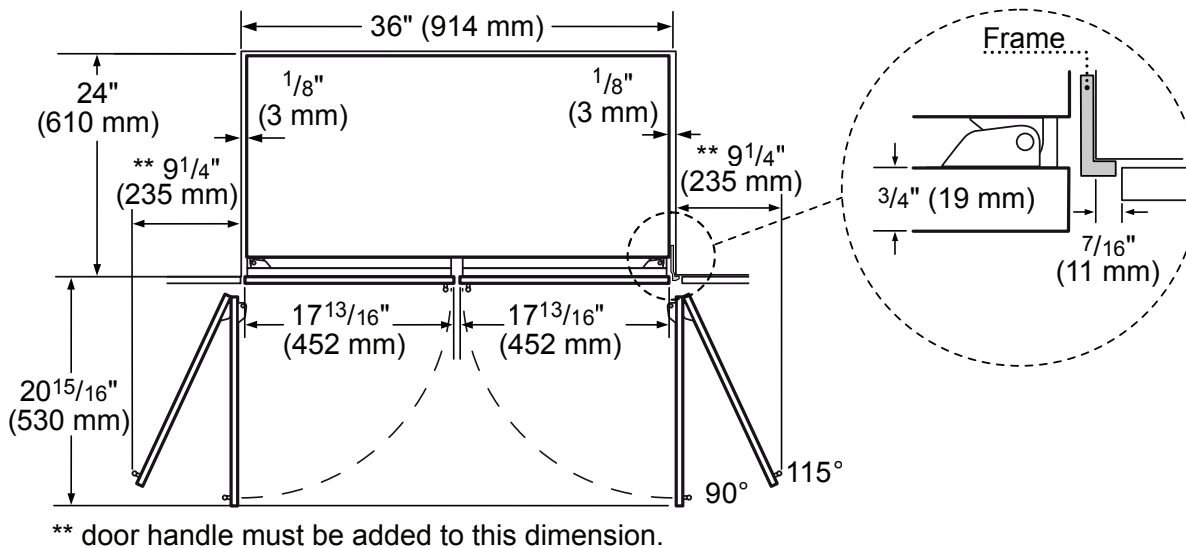
\*Sealed refrigeration system includes compressor, evaporator, condenser, dryer / strainer and connection tubing

### CUTOUT DIMENSIONS



Stainless steel models contain a panel-ready base unit, ready-to-install stainless steel door(s) with a right or left door swing and handle(s).

### TOP VIEW CLEARANCE



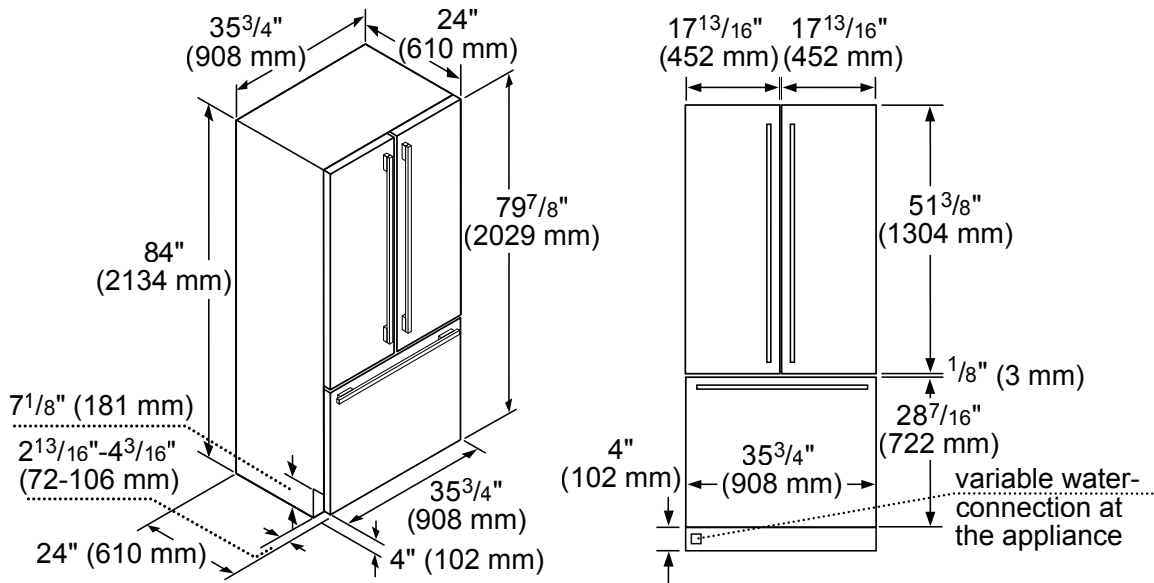
# T36BT920NS

## 36-INCH STAINLESS STEEL BUILT-IN FRENCH DOOR BOTTOM FREEZER, PRE-ASSEMBLED

FREEDOM® COLLECTION, PROFESSIONAL SERIES HANDLES



### PRODUCT AND PANEL DIMENSIONS



### ACCESSORIES (OPTIONAL)

#### STORAGE

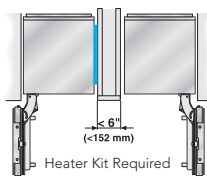
-  3DHFGALBIN  
French Door Half Gallon Bin
-  SPRODBIN10  
Small Produce Bin
-  3DPRODRAIL  
French Door Produce Railing

#### FILTERS

-  **REPLFLTR10**  
Freedom® Water Filter  
Replacement water filter for use in all freezer and bottom freezer models



- SCRNFLTR10**  
By-Pass Filter for use with existing in-home water filtration systems in all freezers and bottom freezer models



#### HEATRKIT20 - 13W @ 120V

Freedom® Heater Kit  
When two appliances are installed side-by-side a sealing kit must be used. For combinations that involve a freezer column, this kit is included. For all other (non-traditional, i.e. two wine columns, two bottom freezers, etc.) side-by-side combinations or instances where any appliances are installed less than 6-inches (152 mm) apart from one another but not connected side-by-side, purchase this kit. This kit is recommended for use with any installation in areas that are subject to humidity, or located next to an outside wall.

These warranties give you specific legal rights and you may have other rights that vary from state to state. Full warranty and limited warranty from date of installation. For complete warranty details, refer to your Use & Care manual, or ask your dealer.

Specifications are for planning purposes only. Refer to installation instructions and consult your countertop supplier prior to making counter opening. Consult with a heating and ventilation engineer for your specific ventilation requirements. For the most detailed information, refer to installation instructions accompanying product or write to Thermador indicating the model number. Specifications are correct at time of printing. Thermador reserves the right to change product specifications or design without notice. Some models are certified for use in Canada. Thermador is not responsible for products that are transported from the U.S. for use in Canada.