

ME301YP

30-INCH SINGLE BUILT-IN OVEN

MASTERPIECE® SERIES WITH PROFESSIONAL HANDLE



FEATURES & BENEFITS

- WiFi smart appliance capabilities include personalized control, notifications & remote diagnostics via Home Connect app
- Features 11 heating modes with 1 Full Access® telescopic rack
- Convection multi-rack mode gives uniform baking results even when using all 3 racks simultaneously
- SoftClose® hinges prevent slamming and ensure ultra-smooth closing
- Self-clean mode cleans interior walls and rack supports in as little as 2 hours



GENERAL PROPERTIES

Heating Modes

(11) Bake, Variable Broil (hi & low), Roast, Warm, Proof Dough, Convection Bake, Convection Broil, Convection Roast, Pizza, True Convection, Fast Preheat

Sabbath	Yes
Cleaning Type	Self Clean
Telescopic Rack(s)	1
Standard Racks	2
Interior Lights	2 Halogen
Home Connect (Wi-Fi Enabled)	Yes

OVEN PERFORMANCE

Bake Element	2,400 W (4 Passes)
Broil Element	3,800 W (12 Passes)
Convection Element	2,000 W

TECHNICAL DETAILS

Watts (240 / 208 V)	6,400 / 4,388 W
Circuit Breaker	30 Amp
Volts	240 / 208 V
Frequency	60 Hz
Plug Type	Fixed Connection, No Plug
Conduit	60" 4-Wire
Energy Source	Electric

DIMENSIONS & WEIGHT

Overall Appliance Dimensions (HxWxD)	29" x 29 3/4" x 24 1/2"
Trim Overlaps (Top – Sides – Bottom)	3/8" to 2" – 9/16" – 0"
Required Cutout Size (HxWxD) – Standard	27" – 28 5/8" x 28 1/2" x 23 1/2"
Required Cutout Size (HxWxD) – Flush	29 1/8" x 30" x 24 1/2"
Oven Cavity Size	4.6 cu. ft.
Overall Oven Interior Dimensions (HxWxD)	17 13/16" x 24 1/8" x 17 13/16"
Usable Oven Interior Dimensions (HxWxD)	12 5/16" x 23 1/4" x 15 1/4"
Net Weight	166 lbs

ACCESSORIES (INCLUDED)

1 Telescopic and 2 Standard Oven Racks

WARRANTY

Limited Warranty Parts and Labor	2 Year
----------------------------------	--------

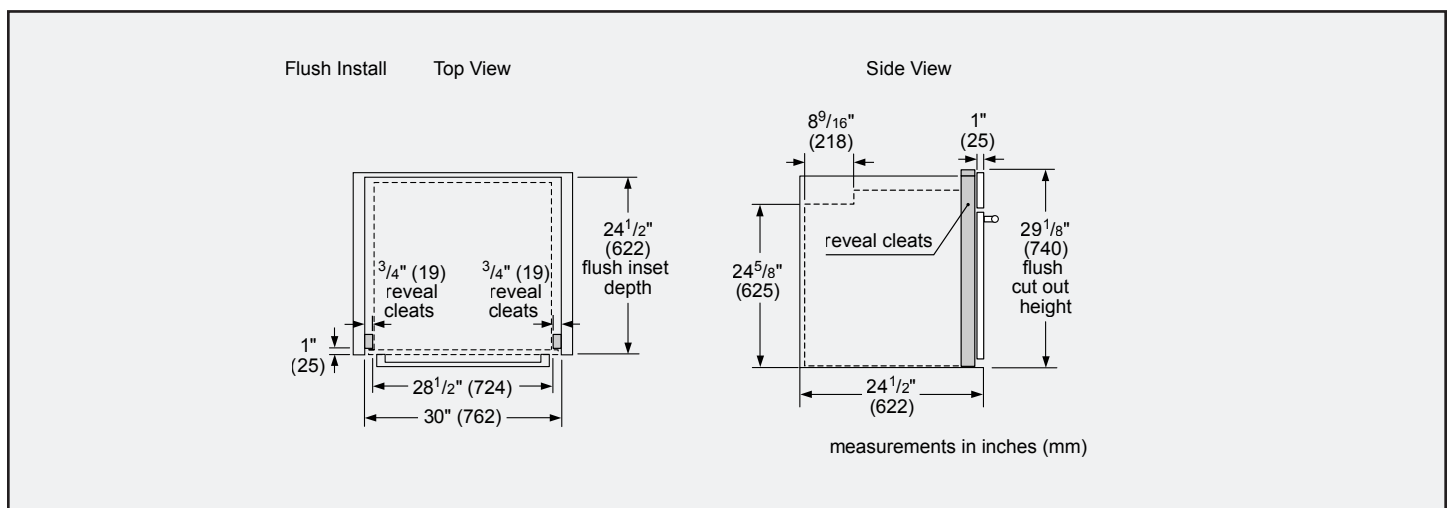
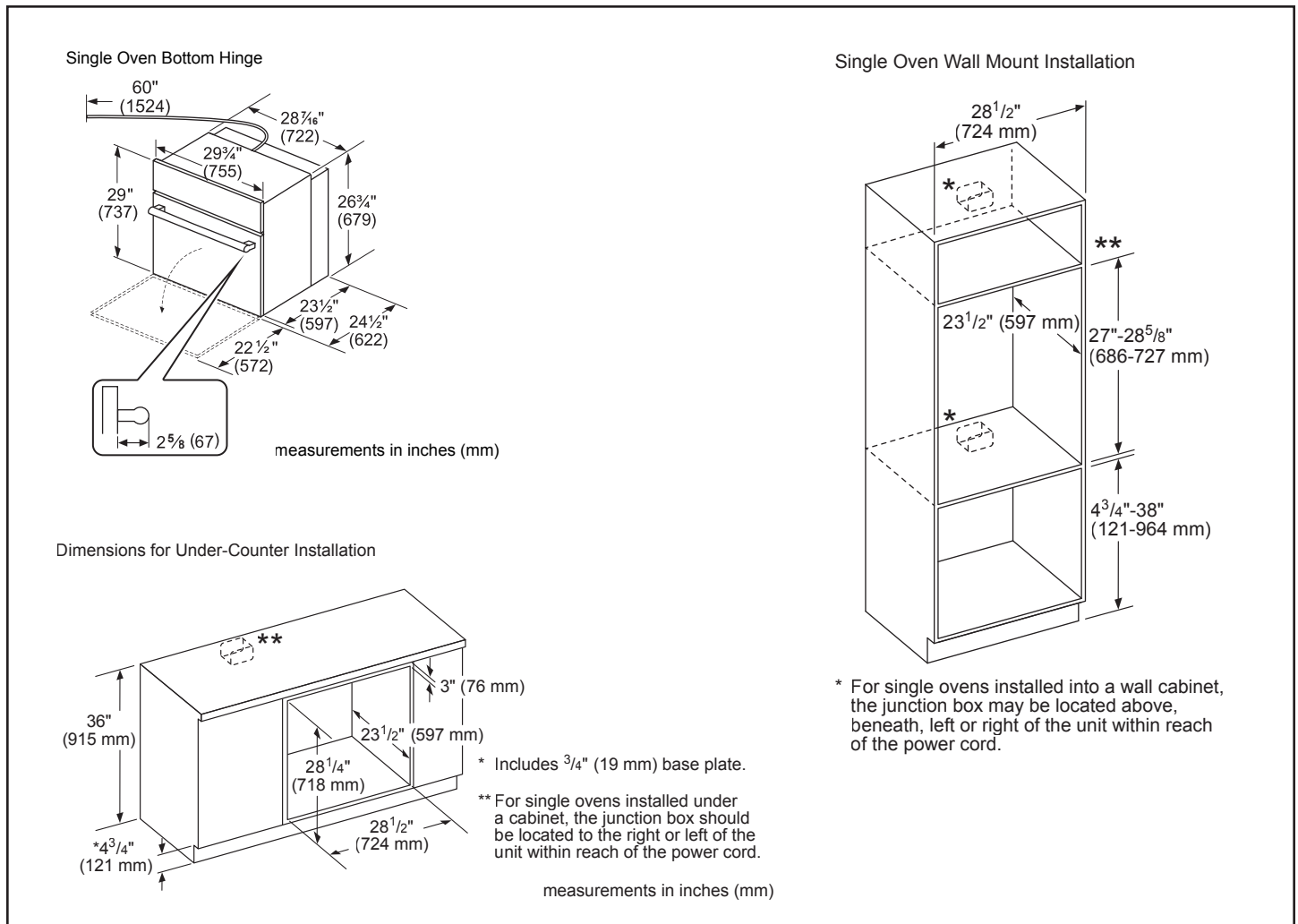
ME301YP

30-INCH SINGLE BUILT-IN OVEN

MASTERPIECE® SERIES WITH PROFESSIONAL HANDLE



INSTALLATION DETAILS



ME301YP

30-INCH SINGLE BUILT-IN OVEN

MASTERPIECE® SERIES WITH PROFESSIONAL HANDLE



INSTALLATION DETAILS

Standard installation
Single oven, double oven or combo oven over warming or storage drawer

* Wall oven junction box may be located above or to the right or left of the unit within reach of the power cable.

** Electrical hook-up may be located below (depending on space) or next to the drawer within reach of the power cable.

Single oven, double oven or combo oven cut-out height

Minimum $\frac{3}{4}$ " (18 mm) required between cut-outs.

$9\frac{1}{4}$ " (235 mm)

min. $4\frac{3}{4}$ " max. 18" (121-457 mm)

measurements in inches (mm)

Flush installation
Single oven over storage or warming drawer

Side View

1" (25 mm)

Cleats

Single oven cut-out height

Cleats

$9\frac{9}{16}$ " (243 mm) flush cutout height

** $24\frac{1}{2}$ " (622 mm)

minimum $\frac{1}{2}$ " (13 mm) required between cut-outs*

Single Wall Oven

* IMPORTANT: Base has to be able to support the weight of the oven. Please check oven manual for minimum weight requirements.

Warming Drawer

** For WD30W, the installed dimension may differ. This drawing based on a $\frac{3}{4}$ " (19 mm) thick custom panel.

measurements in inches (mm)

Standard installation
30" speed oven or microwave above a single oven***

* Junction box may be located above or next to the unit within the reach of the power cable.

** Junction box may be located below (depending on space) or next to the unit within the reach of the power cable.

*** Most combinations available as combo oven (one cut-out, one electrical hook-up).

Minimum dimension between cut-out:

- 1" (25 mm) for wall oven cut-out height of $28\frac{5}{8}$ " (727 mm)
- $2\frac{5}{8}$ " (67 mm) for wall oven cut-out height of 27" (686 mm)

$19\frac{1}{4}$ " (488 mm)

$27-28\frac{5}{8}$ " (686-727 mm)

$23\frac{1}{2}$ " (597 mm)

min. $4\frac{3}{4}$ " max. 18" (121-456 mm)

Measurements in inches (mm)

Flush installation
Speed oven or microwave above a 30" single oven**

1" (25 mm)

Cleats

$20\frac{1}{8}$ " (511 mm) flush cutout height

Cleats

$29\frac{1}{8}$ " (740 mm) flush cutout height

*** Flush installation requires a base plate underneath the body: 30" products—Dimensions: H $5\frac{7}{16}$ " (8 mm) x W $28\frac{1}{2}$ " (724 mm) x D $22\frac{1}{2}$ " (571 mm)

** $24\frac{1}{2}$ " (622 mm)

minimum $\frac{1}{2}$ " (13 mm) required between cut-outs*

* IMPORTANT: Base has to be able to support the weight of the oven. Please check oven manual for minimum weight requirements.

** Most combinations available as combo oven (one cut-out, one electrical hook-up).

measurements in inches (mm)

These warranties give you specific legal rights and you may have other rights that vary from state to state. Limited warranty from date of purchase. For complete warranty details, refer to your Use & Care manual, or ask your dealer.

Specifications are for planning purposes only. Refer to installation instructions and consult your countertop supplier prior to making counter opening. Consult with a heating and ventilation engineer for your specific ventilation requirements. For the most detailed information, refer to installation instructions accompanying product or write to Thermador indicating the model number. Specifications are correct at time of printing. Thermador reserves the right to change product specifications or design without notice. Some models are certified for use in Canada. Thermador is not responsible for products that are transported from the U.S. for use in Canada.