

# NE63T8951SS

SAMSUNG

6.3 cu. ft. Smart Slide-In Induction Range  
with Flex Duo,<sup>™</sup> Smart Dial & Air Fry



## Signature Features

### Smart Dial

- The new Smart Dial simplifies oven settings in a single dial and intuitively learns based on your cooking preferences.

### Air Fry

- Cooking with a crunch just got healthier with Air Fry.\* Using little to no oil, you can quickly prepare favorite fried foods right in your oven. No preheating required.

\*As compared to deep frying. Air fry tray included with purchase.

### Flex Duo<sup>™</sup>

- The Flex Duo<sup>™</sup> range is for the ultimate multi-tasker who wants to be efficient in the kitchen. Use the full oven, or split it into two separate smaller ovens to suit your needs.

## Available Colors

 Fingerprint Resistant  
Stainless Steel (shown)

 Fingerprint Resistant  
Black Stainless Steel



Smart Dial



Air Fry

## Features

- Smart Dial
- Air Fry, Tray Included
- Flex Duo<sup>™</sup>
- Convection+
- Illuminated Knobs
- Fingerprint Resistant Finish
- Virtual Flame<sup>™</sup>
- Large Oven Capacity – 6.3 cu. ft.
- Ready2Fit<sup>™</sup> Guarantee
- Temperature Probe
- Gliding Rack
- Soft Close Door
- Storage Drawer

- Flexible Cooktop:  
Four Burner Cooktop  
- 11" 2400 W, Boost 4200 W,  
Virtual Flame<sup>™</sup>  
- 7" 1800 W, Boost 2300 W (2)  
- 6" 1200 W, Boost 2000 W

## Convenience

- Wi-Fi Connectivity
- Voice-Enabled
- Convection Auto Conversion
- Self & Steam Clean
- Hidden Bake Element
- Child Safety Lock
- Delay Start
- Auto Oven Light
- Kitchen Timer
- Sabbath Mode

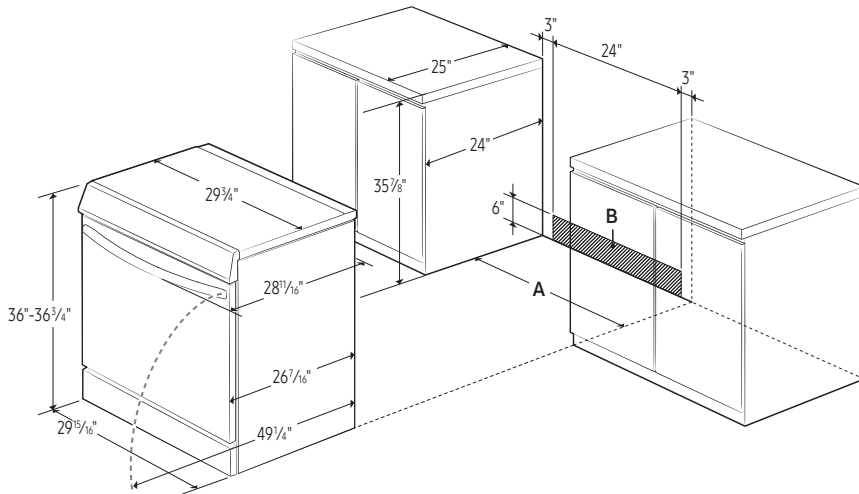


# NE63T8951SS

SAMSUNG

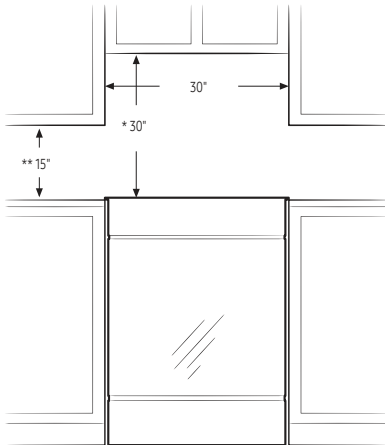
## 6.3 cu. ft. Smart Slide-In Induction Range with Flex Duo,<sup>™</sup> Smart Dial & Air Fry

### Installation Specifications



A: Cabinet opening min 30"  
B: Acceptable electrical outlet area

**IMPORTANT:** If your cabinets are over 36<sup>3</sup>/<sub>4</sub>" high, you must install this range on a hard, heat-resistant support that raises the surface of the range so that it is about even with the countertop.



\* 30" minimum clearance between the top of the cooking surface and the bottom of an unprotected wood or metal cabinet; or 24" minimum when the bottom of the wood or metal cabinet is protected by not less than 1/4" of flame retardant millboard covered with not less than no.28 MSG sheet steel, 0.015" stainless steel, 0.024" aluminum, or 0.020" copper.

\*\*15" minimum between the countertop and the adjacent cabinet bottom.

**IMPORTANT:** Consult with Installation Manual for detailed instructions before installing. All ranges must be installed with the Anti-Tip device that is included.

### Power Source

240V/208V/60 Hz/40A

### Induction Cooktop

- Right Front: 11" 2400 W, Boost 4200 W, Virtual Flame<sup>™</sup>
- Left Front: 7" 1800 W, Boost 2300 W
- Right Rear: 7" 1800 W, Boost 2300 W
- Left Rear: 6" 1200 W, Boost 2000 W

### Dual Oven

- Upper Capacity: 3.4 cu. ft.
- Lower Capacity: 2.7 cu. ft.
- Convection Element/Heater
- Convection Bake
- Convection Roast
- Bake
- Variable Broil: Low/High
- Air Fry
- Bread Proof
- Dehydrate

### Warranty

One (1) Year Parts and Labor

### Product Dimensions & Weight (WxHxD)

Oven Interior Dimensions:

24<sup>13</sup>/<sub>16</sub>" x 22<sup>7</sup>/<sub>16</sub>" x 19<sup>3</sup>/<sub>4</sub>"

Outside Net Dimensions:

29<sup>15</sup>/<sub>16</sub>" x 36-36<sup>3</sup>/<sub>4</sub>" (Adjustable) x 28<sup>11</sup>/<sub>16</sub>"

Weight: 216 lbs

### Shipping Dimensions & Weight (WxHxD)

Dimensions:

33<sup>1</sup>/<sub>16</sub>" x 41<sup>3</sup>/<sub>4</sub>" x 30<sup>5</sup>/<sub>16</sub>"

Weight: 239 lbs

### Color

Fingerprint Resistant  
Stainless Steel

### Model #

NE63T8951SS

### UPC Code

887276415086

Fingerprint Resistant

Black Stainless Steel

NE63T8951SG

887276415062

