



Controls on top

Left-hinged only

CM 450 710

Stainless steel-backed full glass front
Width 24" (60 cm)

Included accessories

- 1 measuring spoon
- 1 assembly screws
- 1 milk container 17 oz (0.5 liters)
- 1 water hardness test strip
- 1 connection hose for milk frother
- 1 milk tube

Optional accessories

(order as spare parts):

Part # 12008246

Water filter

Part # 00573828

Descaling tablets

Part # 00573829

Cleaning tablets

Part # 00636455

Door hinge restrictor
(92° opening angle)

Part # 11005967

Stainless steel milk container

Part # 11015223

One-pound bean container with lid

400 series non-plumbed, fully automatic espresso machine CM 450

- Handleless door/automatic door opening
- Continuous flow heater means no waiting time and constant brewing temperature
- Aroma brewing technology for a full aroma
- Single portion cleaning
- TFT touch display
- Centralized controls for easy use and intuitive operation
- One-touch operation
- Personalization function
- Seven light settings
- Electronic fill level control for milk, water and coffee to ensure a perfect result

Beverage types

- Ristretto/2 x Ristretto.
- Espresso/2 x Espresso.
- Espresso macchiato/2 x Espresso macchiato.
- Coffee/2 x Coffee.
- Americano/2 x Americano.
- Caffe latte/2 x Caffe latte.
- Latte macchiato/2 x Latte macchiato.
- Cappuccino/2 x Cappuccino.
- Flat white/2 x Flat white.
- Milk froth/2 x Milk froth.
- Warm milk/2 x Warm milk.
- Hot water/2 x Hot water.

Operation

Automatic door opening to the left. Rotary knobs and TFT touch display operation. Clear text display in 25 languages. Personalization function, up to 8 beverages can be personalized and memorized. 4 beverage size settings from small to extra large; can be individually adjusted to match the size of the cup. 8 coffee strength levels from very mild to extra strong. 3 coffee and hot water temperature levels. 4 coffee-milk ratio levels. Adjustable grinding level. Height-adjustable coffee dispenser 2 3/4" to 5 7/8". Easy access to water tank, milk and coffee bean container behind the door.

Features

Non-wearing grinding unit with ceramic discs. Separate drawer for second ground coffee type. Water pump with 275 psi (19 bar) pressure. Double grinding and brewing cycles for extra intensity for one beverage. Double grinding and brewing cycles for two beverages. Beverage dispenser with integrated milk system. Insulated stainless steel milk container for up to 17 oz. (0.5 liters). Integrated LED lighting. Removable 17.6 oz. (0.5 kg) bean container with aroma lid allows for an effortless exchange of different types of coffee beans. Automatic adjustment of ground coffee quantity.

Removable 81 oz. (2.4 liter) water tank. Electronic water filter exchange indicator. Electronic fill level control for drip tray and container for coffee residue. Sleep mode. Child lock.

Cleaning

Fully automatic rinse program when machine is turned on/off. Automatic steam cleaning of the milk system after every beverage. Automatic cleaning and descaling program. Emptying program. Removable brewing unit. Coffee residue container and drip tray dishwasher-safe. Beverage dispenser dishwasher-safe.

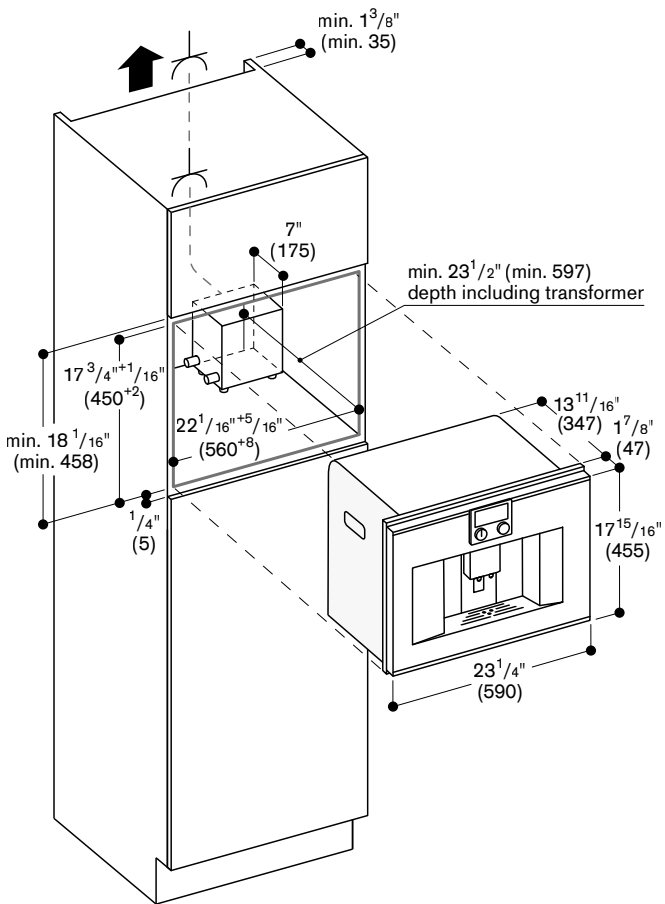
Planning notes

Ideal installation height 3.1 ft.– 4.8 ft. (top edge of bottom cut-out). The front of the appliance extends 1 7/8" from the cabinet front. When installing in a corner a side clearance is required. Door opening angle approximately 110° (default delivery status) – mounting distance to the wall has to be at least 13 3/4". Opening angle approximately 155° – mounting distance to the wall has to be at least 25 1/16". Opening angle approximately 92° – mounting distance to the wall has to be at least 3 15/16" (spare part# 00636455). Installation directly above WS 461 (5 3/8" tall) warming drawer in 23 1/4" standard cut-out.

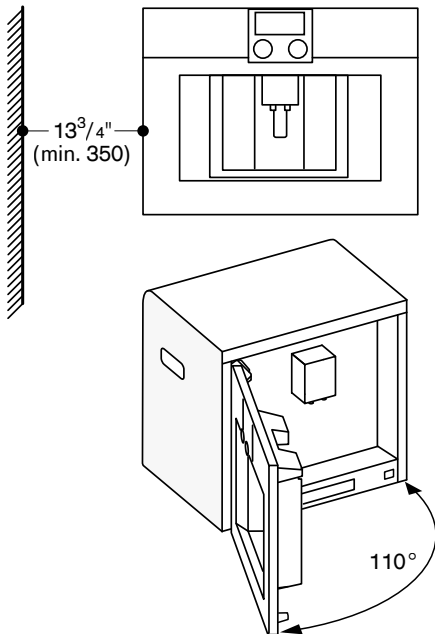
Please read the installation details regarding combination with ovens on the pages 12 – 13.

Rating

Total rating: 1.6 kW.
Total Amps: 10 A.
120 V / 60 Hz
Connection cable 39" with plug.



Left corner installation



If using the 92° door hinge restrictor (spare part no. 00636455), the minimum distance to the wall is only $3\frac{15}{16}$ " (100 mm).